



# *Parts Manual*

**EN 280:2013/A1:2015**

**AS0808**

**Mobile Elevating Work  
Platforms**

**\*M10900011-\*M10900056**

**PART NO. S08081DTCH10-G12**

## **Spare parts and services:**

For the owner of the machines of LGMG, only the spare parts and services of LGMG can make your machine to better maintain the original features.

Only LGMG can provide you with the most appropriate matching parts and the most professional maintenance personnel to guarantee sustainable high productivity and longer service life of machine.

2024-07 version 1 Printed 1

---

**LINGONG HEAVY MACHINERY CO.,LTD.**

Add: 2676 Kejia Road, high tech Zone, Jinan City, Shandong Province, China

Tel : 86-0531-67601108

Fax : 86-0531-67601108

Service Tel : 86-0531-67605016

Web : [www.lgmg.com.cn](http://www.lgmg.com.cn)

## **FOREWORD**

This parts manual aims to help users to operate, repair and maintain the machine in the use of machine for ease of reference. It can also help the users to understand the structure and assembly relation of the machine.

The Parts Manual has made it clear for users to look up the drawings of different parts and assembly relations systematically. After assembly, disassembled components, such as welding parts or riveted assemblies, are marked only by their codes expect for their applied parts.

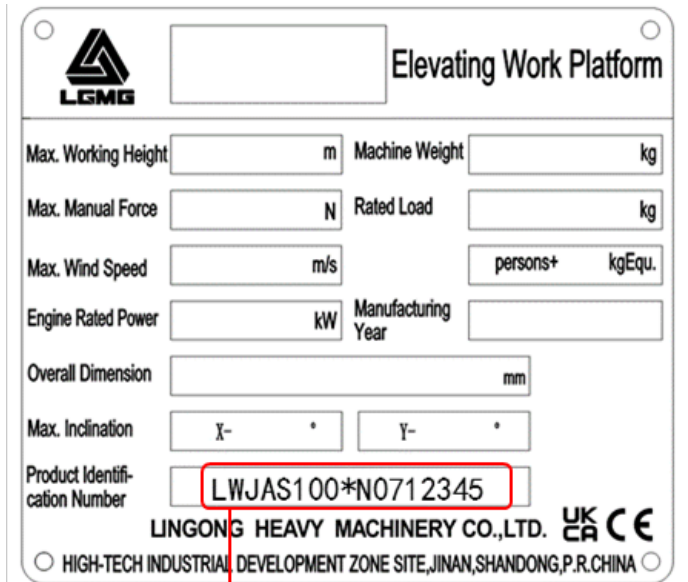
LGMG has endeavored to deliver the highest degree of accuracy possible. However, continuous improvement of our product is a LGMG Policy. Therefore, product specifications are subject to change without notice. When ordering the spare parts, please inform us of the manufacturing year and product identification number of the machine.

Readers are encouraged to notify LGMG of errors and send in suggestions for improvement. All communications will be carefully considered for future printings of this and all other manuals.

## PIN and Virtual Code of the Whole Machine Description

Please find the information as follows:

- Locate the nameplate from the product
- Get the PIN from the nameplate as shown below
- Get the virtual code of the whole machine from PIN



The nameplate for an Elevating Work Platform includes the following fields:

Max. Working Height	<input type="text"/>	m	Machine Weight	<input type="text"/>	kg	
Max. Manual Force	<input type="text"/>	N	Rated Load	<input type="text"/>	kg	
Max. Wind Speed	<input type="text"/>	m/s		<input type="text"/>	persons+ kgEqu.	
Engine Rated Power	<input type="text"/>	kW	Manufacturing Year	<input type="text"/>		
Overall Dimension	<input type="text"/>					mm
Max. Inclination	<input type="text"/>	X- °	<input type="text"/>	Y- °		
Product Identification Number	<input type="text" value="LWJAS100*N0712345"/>					

LINGONG HEAVY MACHINERY CO.,LTD. UK CE  
HIGH-TECH INDUSTRIAL DEVELOPMENT ZONE SITE, JINAN, SHANDONG, P.R. CHINA

PIN → LWJAS100\*N0712345 → The virtual code of the whole machine

## How to Order Parts

Please be prepared with the following information when ordering replacement parts for your LGMG product.

- Machine model number
- Machine serial number
- Part number
- Part description and quantity
- Purchase order number
- "Ship to" Address
- Desired method of shipment
- Name and telephone number of the authorized distributor in your area

If you don't know the name of your authorized distributor, or if your area is not currently serviced by an authorized distributor, please call LGMG Industries.

## CONTENTS

### C Drive Chassis Components

C0400-2504000038.A1B	FR axle Assy . . . . .	2
C0700-2516000901.S1D-G1	Chassis Assy . . . . .	4
C0702-2516000137.S1A-G1	RH door Assy . . . . .	8
C0701-2516002091.S1A-G1	LH door Assy . . . . .	10
C0800-2518000023.A-G1	Battery and oil tank side . . . . .	12
C0801-2518000065.A1B-G1	Battery side . . . . .	14
C0801-2518000049.A1A-G1	Oil tank side . . . . .	16
C0900-2519000038.S1C-G1	Pothole protection mechanism . . . . .	18
C0900-2519000316.S-G2	Pusher Assy . . . . .	22
C1100-2506000064.S1F-G1	Service brake Assy . . . . .	24
C1100-4120001127.S	Brake release valve manifold 960020A10AAAA . . . . .	28
C1101-4120704565	Platform control valve manifold . . . . .	30
C1200-2517000217.S-G2	Steering mechanism . . . . .	32
C1700-2529000586.S4C-G1	Covering accessories Assy . . . . .	34
C2900-2530000342.S1B-G2	Control elec Assy . . . . .	36
C3100-2532000832.S1E-G1	Chassis elec Assy . . . . .	38

### D Turntable Components

D1600-2528000010.A2D-G2	Counterweight Assy . . . . .	48
-------------------------	------------------------------	----

### E Scissor(Boom Structure) Components

E1300-2520002408.S1D-G2	Scissor Assy . . . . .	52
E1300-2520000130.B1A-G1	Cable routing plate Assy . . . . .	56
E1300-2520000044.B2D-G1	Safety prop . . . . .	58

### F Platform Components

F2100-2521003820.S-G1	Platform Assy . . . . .	62
F2100-2521003804.S1A-G1	Main platform Assy . . . . .	64
F2100-2521003593.S2A-G1	Wheel Assy . . . . .	66
F2100-2521003860.S1A-G1	Extension platform Assy . . . . .	68
F2100-2521003805.S1B-G1	Guardrail Assy . . . . .	70
F2100-2521003807.S-G1	Half-height swing gate Assy . . . . .	74
F2106-2521002962.S-G1	Bracket Assy . . . . .	76

### H Hydraulic Hose Routing and Fittings

H2302-2507000388.S1A-G1	Steering hyd Assy . . . . .	80
H2300-4120703457-G1	Steering hyd cyl Assy 40*20*152.4 ( 10570 ) . . . . .	82
H2301-2507000389.S1B1-G1	Traveling motor Assy . . . . .	84
H2300-4120001345	Traveling motor Assy 530375T3531AAAAA . . . . .	88
H2300-4120001345001	Danfoss motor seal kit 500444004 . . . . .	92
H2300-4120704629004	Seal kit Z331-66 ( Eaton ) . . . . .	94



---

H2400-2508000082.S1I-G1	Lift hyd assy . . . . .	96
H2400-4120703497-G1	Lift hyd cylinder assy 75*63*1273-1524 ( 10570 ) . . . . .	100
<b>J Accessories</b>		
J2900-4130001286-G2	PCU assy . . . . .	104
J3101-4130001288-G1	Ground control panel assy . . . . .	106
J3200-4130000710-G2	Motor assy GE5.5 ( 24V ) . . . . .	108
J3102-2532000039.B1C-G2	Bracket assy. . . . .	110
J3300-2533000565-G1	Power to platform assy . . . . .	112
<b>Part number index . . . . .</b>		<b>115</b>

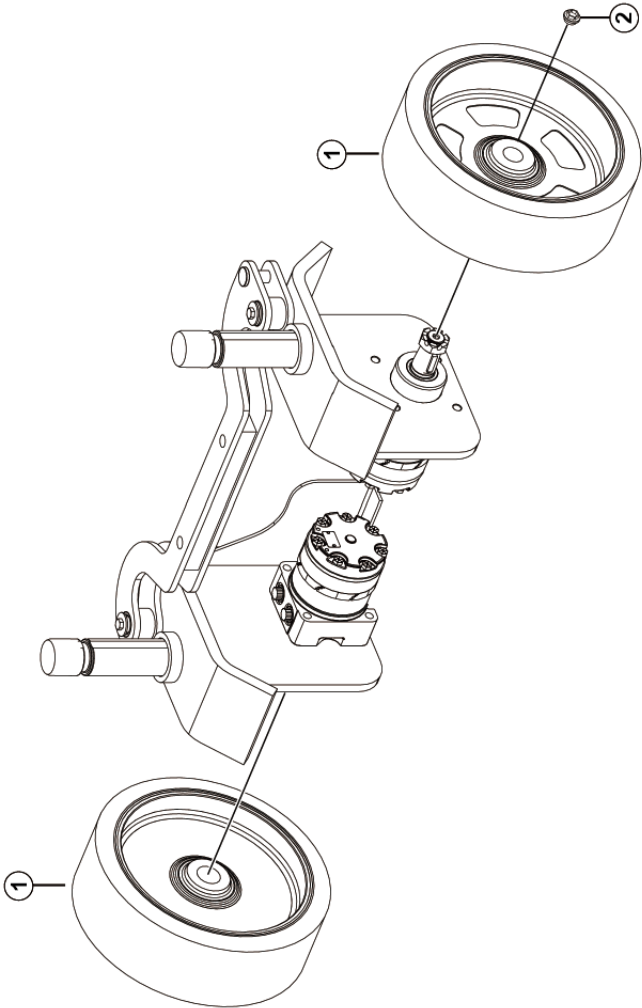
**C**

# **Drive Chassis Components**

C0400-2504000038.A1B

FR axle assy

B0400-2504000038.A1B

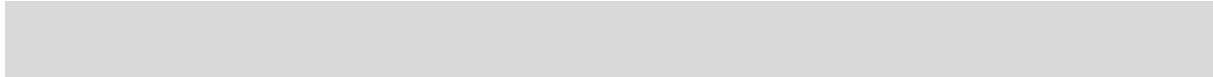




## Drive Chassis Components

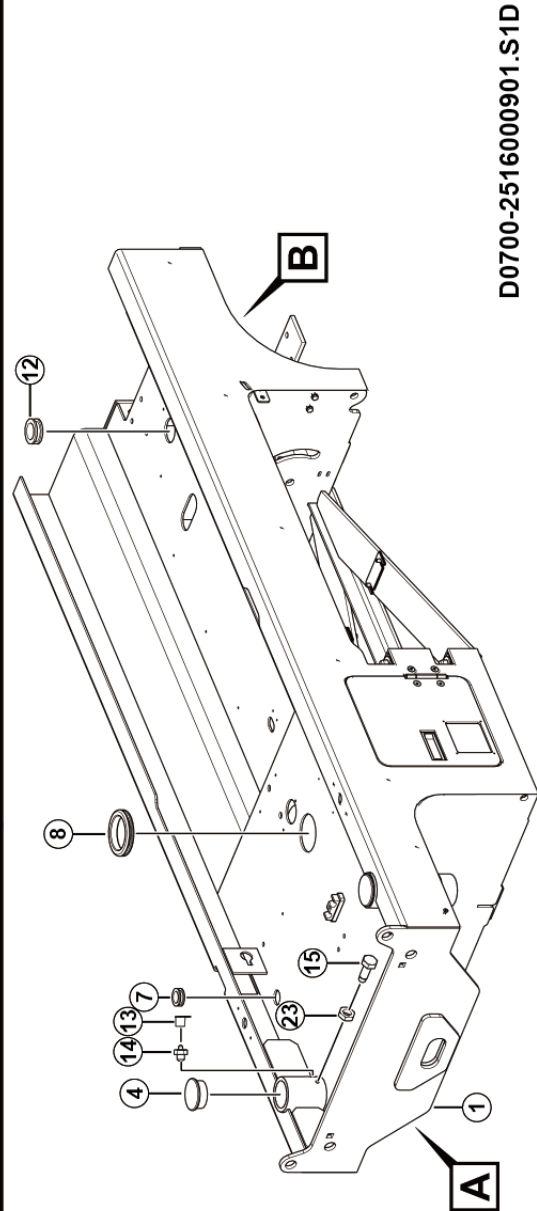
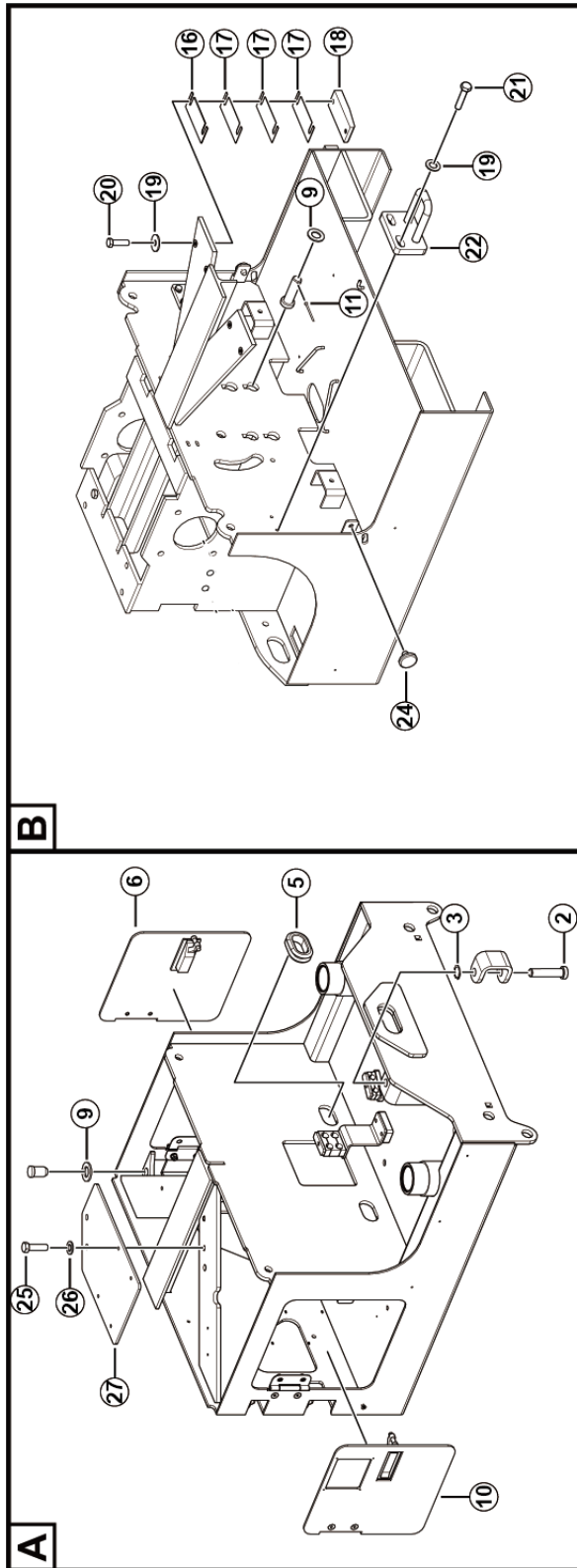
---

Item	Part No.	Name	Qty.	Remark
1	4110702434	Tire assy 380*130 ( Grey )	2	
2	4110001982	Sealing plug 466974	4	



C0700-2516000901.S1D-G1

Chassis assy

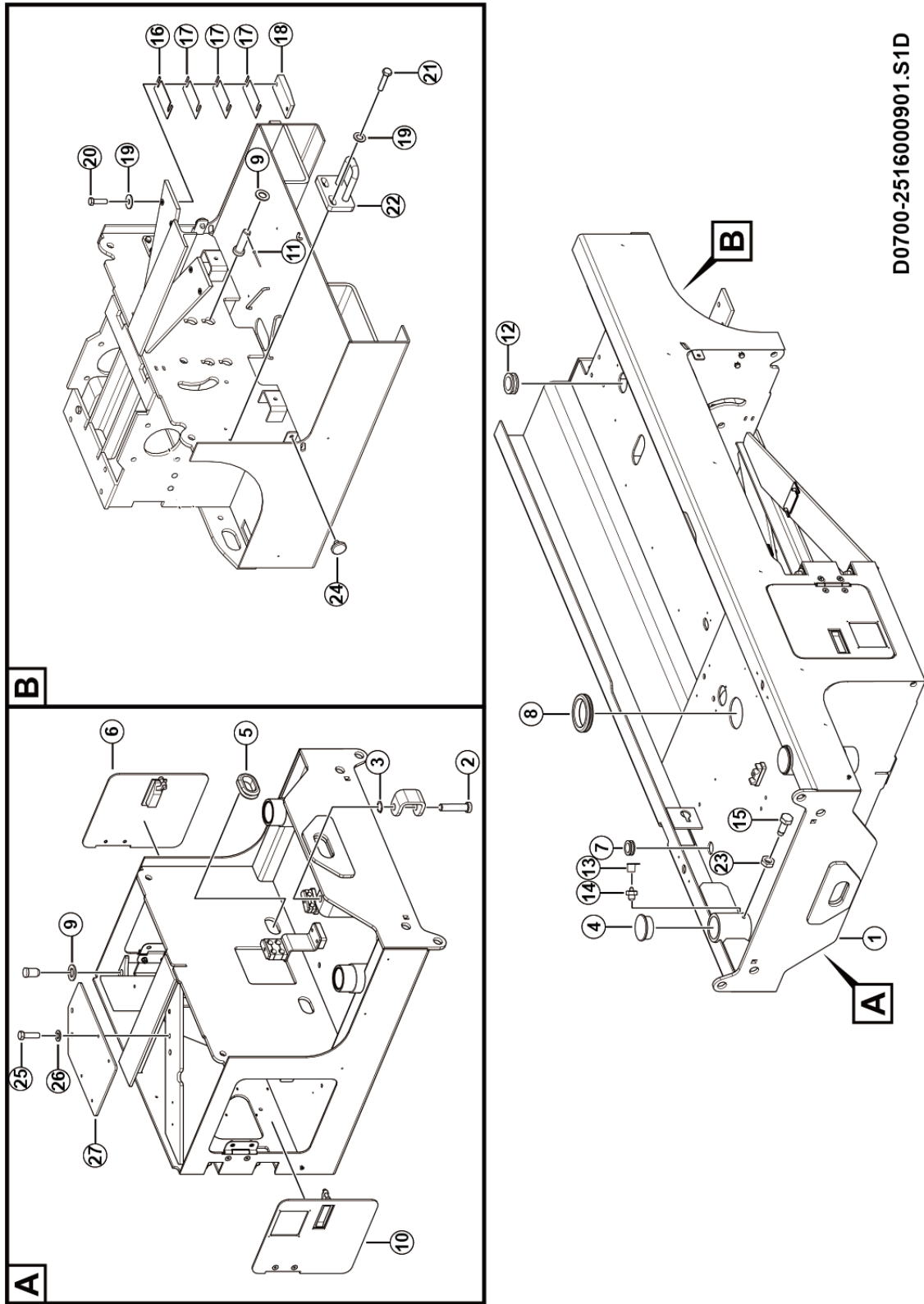


D0700-2516000901.S1D

Item	Part No.	Name	Qty.	Remark
1	25160009006	Chassis assy	1	
2	25160001342	Hyd cylinder pin	1	
3	4015010246	Snap ring GB894.1-19-65Mn	1	
4	4030100086	No longer used	2	
5	25160000401	Rubber sleeve	4	
6		RH side door assy		For illustration
7	28219900091	Rubber Gromet , 34*7	2	
8	25160000621	Rubber sleeve	1	
9	4015000176	Washer GB97.1-20EpZn-300HV	6	
10		LH door assy		For illustration
11	4016000057	Pin GB91-4*45EpZn-Q235A	2	
12	25160000411	Rubber sleeve	1	
13	4030000107	No longer used	2	
14	4030000065	Grease nipple JB7940.1-M10*1	2	
15	25160000502	Limit bolt	2	
16	25160000611	Adjusting backing plate	2	
17	25160000572	Adjusting backing plate	6	
18	25160000481	Backing block	2	
19	4015000072	Washer GB97.1-8EpZn-300HV	8	
20	4011000106	Bolt GB5783-M8*25EpZn-8.8	4	
21	4011000105	Bolt GB5783-M8*20EpZn-8.8	4	
22	25160004253	Lock fixing seat	2	

C0700-2516000901.S1D-G1

Chassis assy



D0700-2516000901.S1D

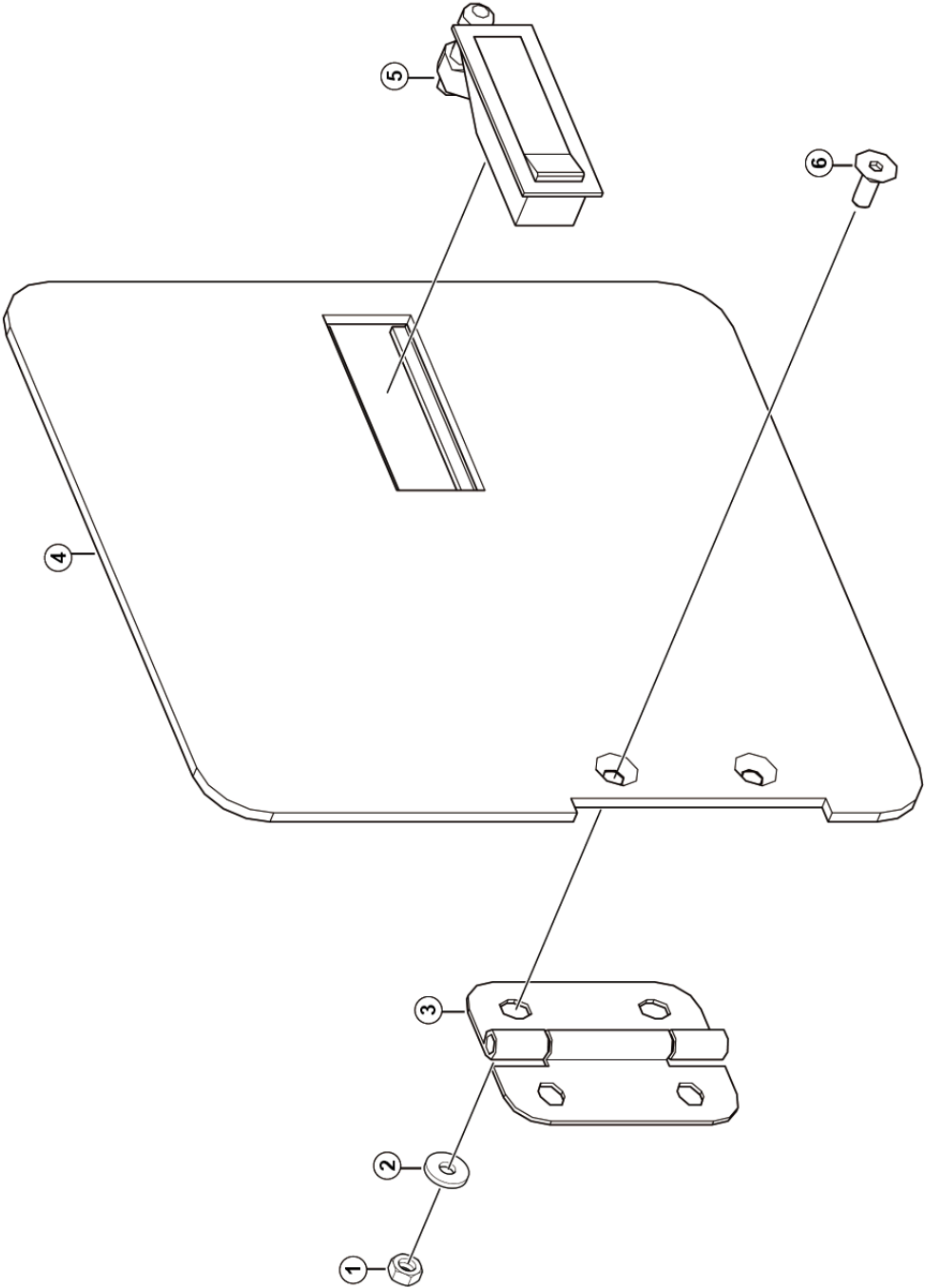


## Drive Chassis Components

Item	Part No.	Name	Qty.	Remark
23	4013000090	Nut GB6172.1-M10EpZn-05	2	
24	25200000402	Rubber plug	2	
25	4011010306	Boltgb5783-M12*30Epzn-8.8	2	
26	4015000168	Washer GB97.1-12EpZn-300HV	2	
27	25160020881	Charger fixing plate	1	

C0702-2516000137.S1A-G1

RH door assy



D0702-2516000137.S1A

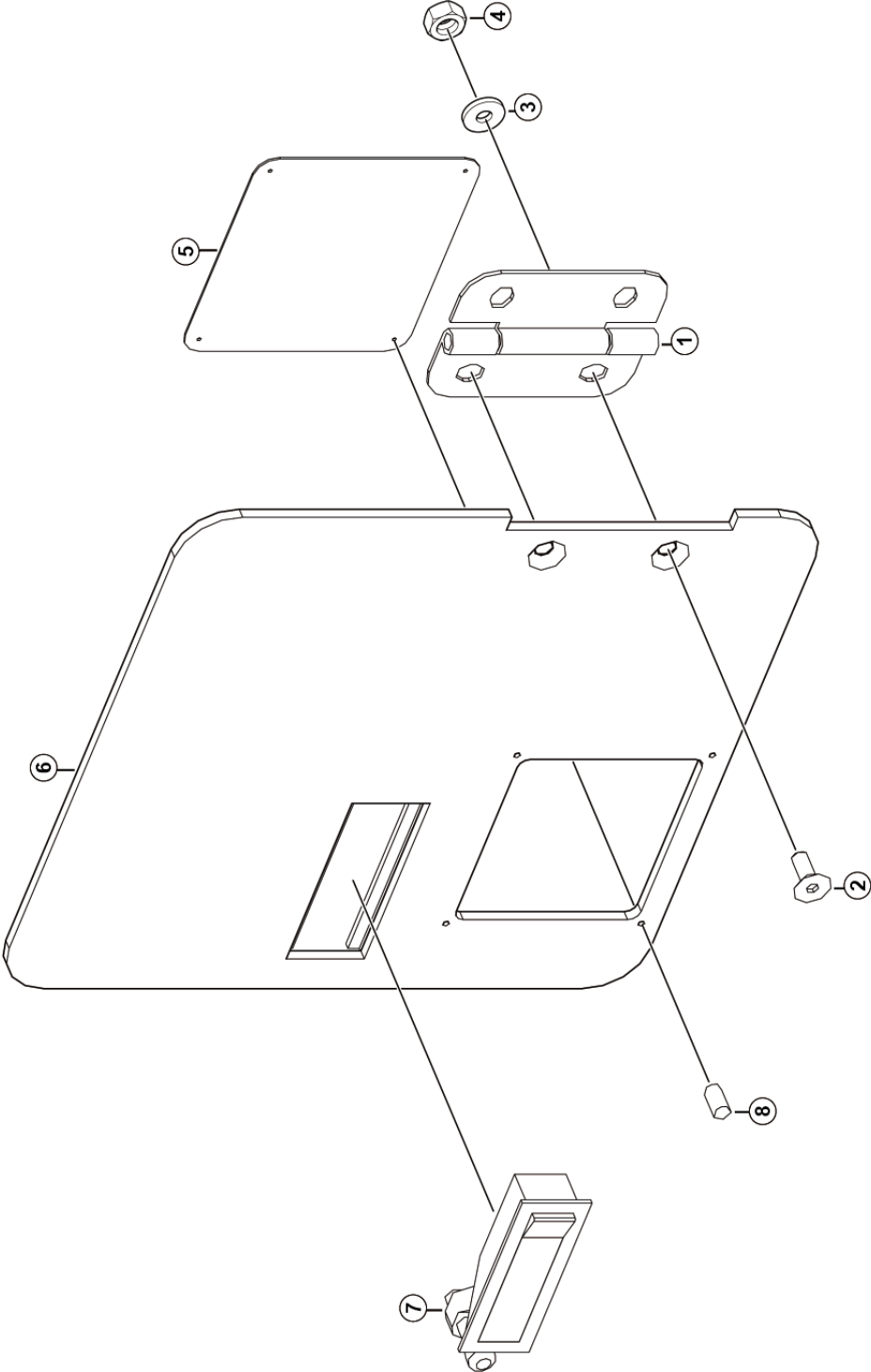


## Drive Chassis Components

Item	Part No.	Name	Qty.	Remark
1	4013000210	Nut GB889.1-M8EpZn-8	4	
2	4015000072	Washer GB97.1-8EpZn-300HV	4	
3	4190001521	Hinge CL253-27	1	
4	25160001353	RH door welding	1	
5	4190001520	Lock MS719-1CA	1	
6	4011010440	Bolt GB12-M8*20EpZn-8.8	4	

C0701-2516002091.S1A-G1

LH door assy



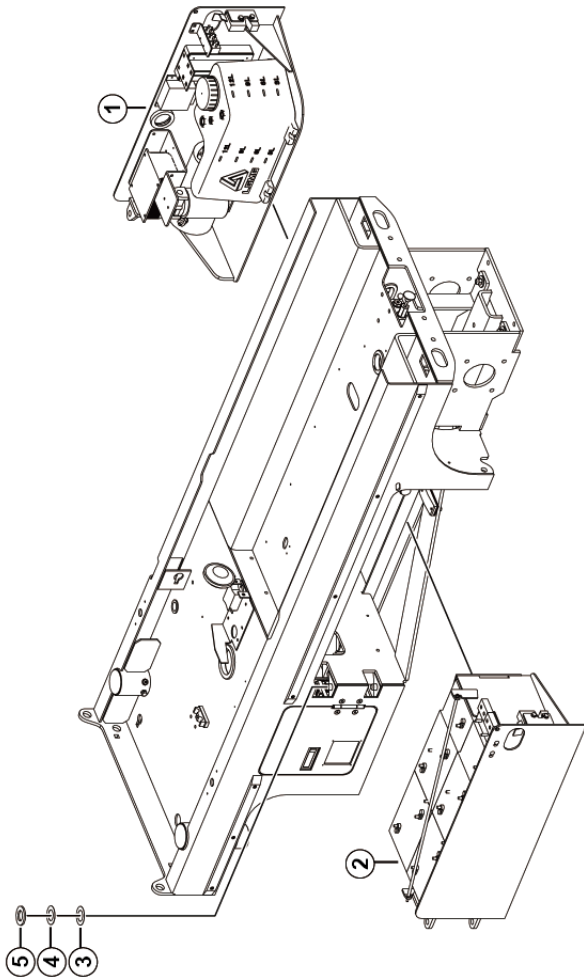
D0701-2516002091.S1A

Item	Part No.	Name	Qty.	Remark
1	4190001521	Hinge CL253-27	1	
2	4011011192	Bolt GB12-M8*20flZnyc-8.8-480	4	
3	4015010280	Washer GB97.1-8flZnyc-300HV-480	4	
4	4013010297	Nut GB889.1-M8flznyc-8-480	4	
5	25160000561	Transparent plate	1	
6	25160020901	LH door wldmt	1	
7	4190001520	Lock MS719-1CA	1	
8	4019000012	Rivet GB827-3*5-BL2	4	

C0800-251800023.A-G1

Battery and oil tank side

D0800-251800023.A





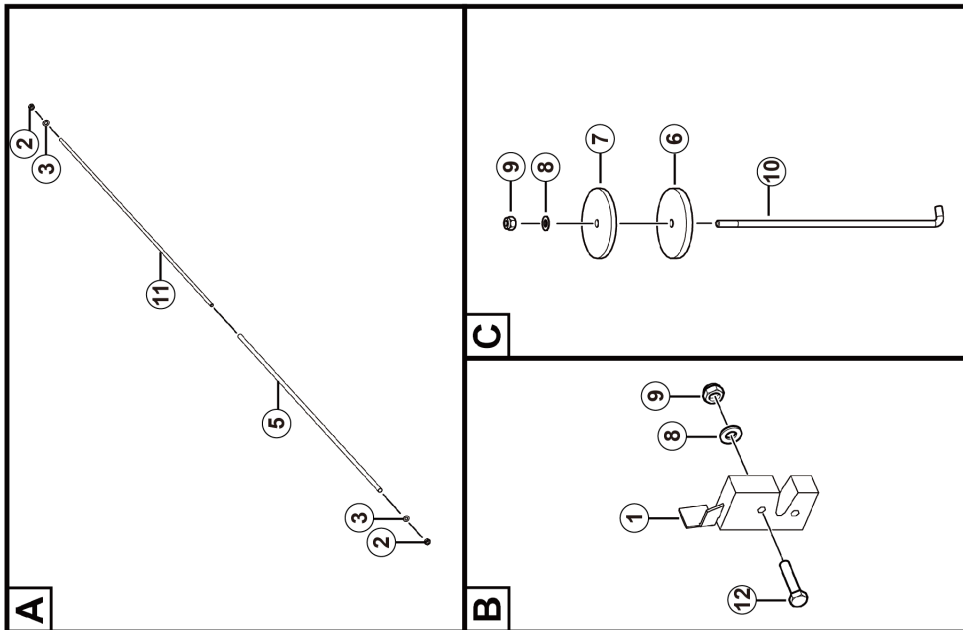
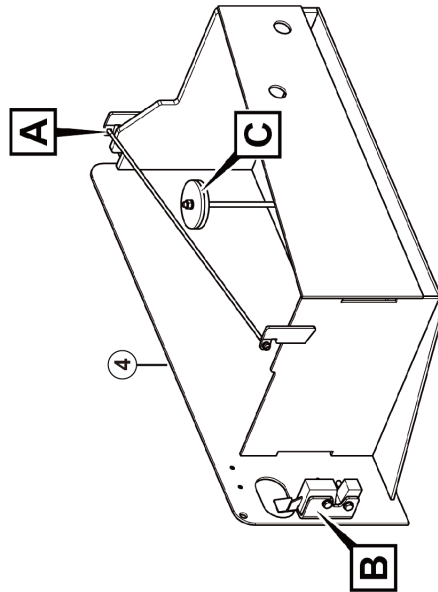
## Drive Chassis Components

---

Item	Part No.	Name	Qty.	Remark
1		Oil tank side		For illustration
2		Battery side		For illustration
3	25180000181	Adjusting gasket	4	
4	25180000191	Adjusting gasket	4	
5	25180000201	Adjusting gasket	4	

C0801-2518000065.A1B-G1

Battery side



D0801-2518000065.A1B



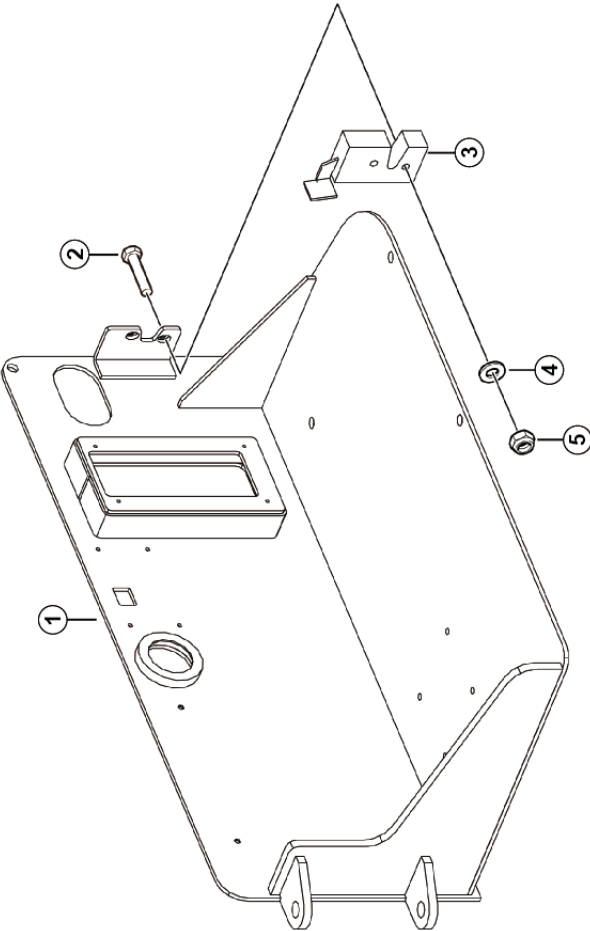
## Drive Chassis Components

Item	Part No.	Name	Qty.	Remark
1	4190001813	LH lock body NBS5530WP005	1	
2	4013000028	Nut GB6170-M6EpZn-8	2	
3	4015000207	Washer GB97.1-6EpZn-300HV	2	
4	25180000703	Battery box	1	
5	25180000212	Insulating sleeve	1	
6	25180004001	Rubber plate	1	
7	25180004011	Platen	1	
8	4015000072	Washer GB97.1-8EpZn-300HV	5	
9	4013000210	Nut GB889.1-M8EpZn-8	3	
10	25180003392	Threaded rod	1	
11	25180000033	Threaded rod	1	
12	4011000298	Bolt GB5782-M8*45EpZn-8.8	2	

C0801-2518000049.A1A-G1

Oil tank side

D0801-2518000049.A1A



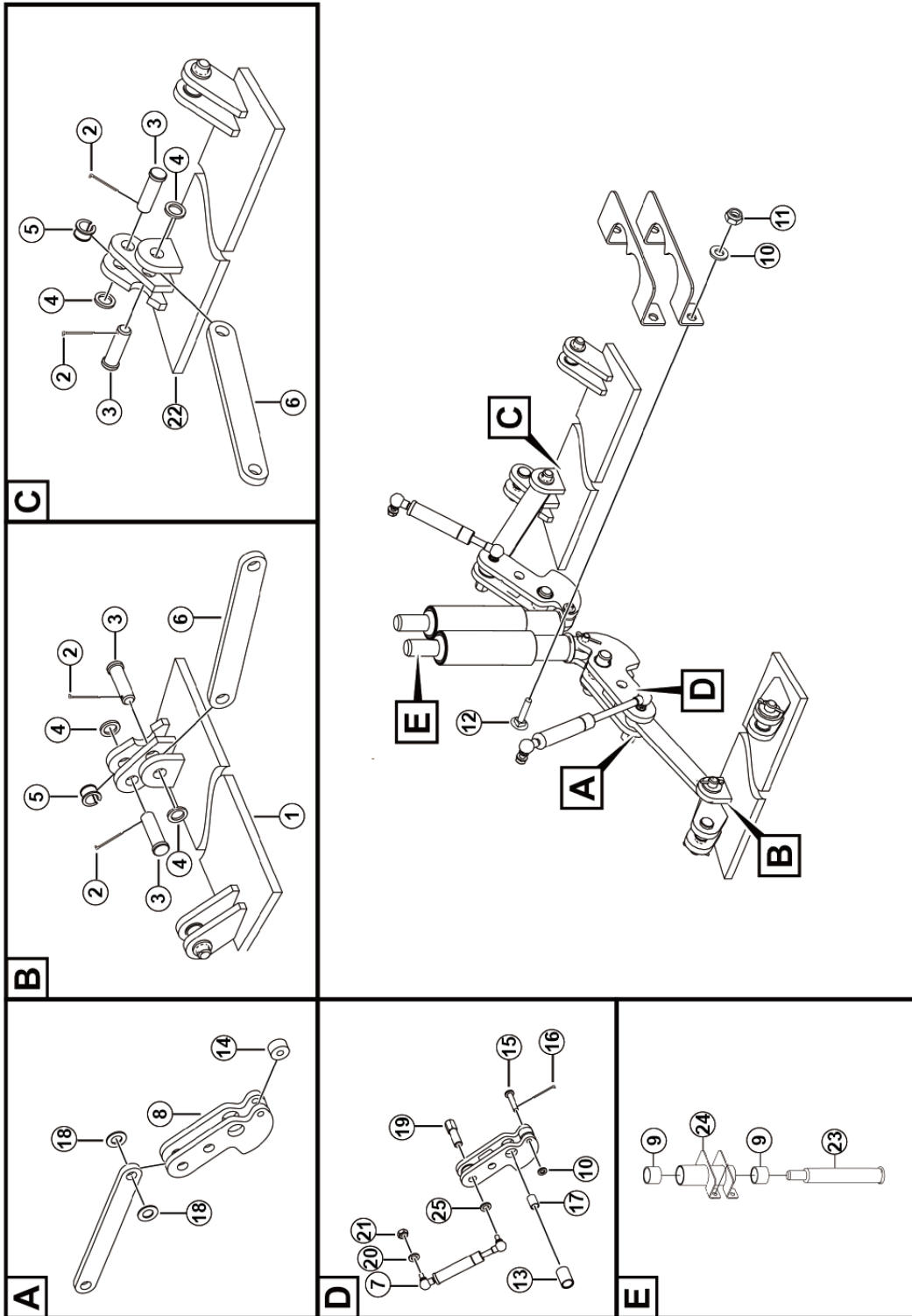


## Drive Chassis Components

Item	Part No.	Name	Qty.	Remark
1	25180000663	Oil tank side wldmt	1	
2	4011000298	Bolt GB5782-M8*45EpZn-8.8	2	
3	4190001814	RH lock NBS5530WP010	1	
4	4015000072	Washer GB97.1-8EpZn-300HV	4	
5	4013000210	Nut GB889.1-M8EpZn-8	2	

C0900-2519000038.S1C-G1

Pothole protection mechanism



D0900-2519000038.S1C

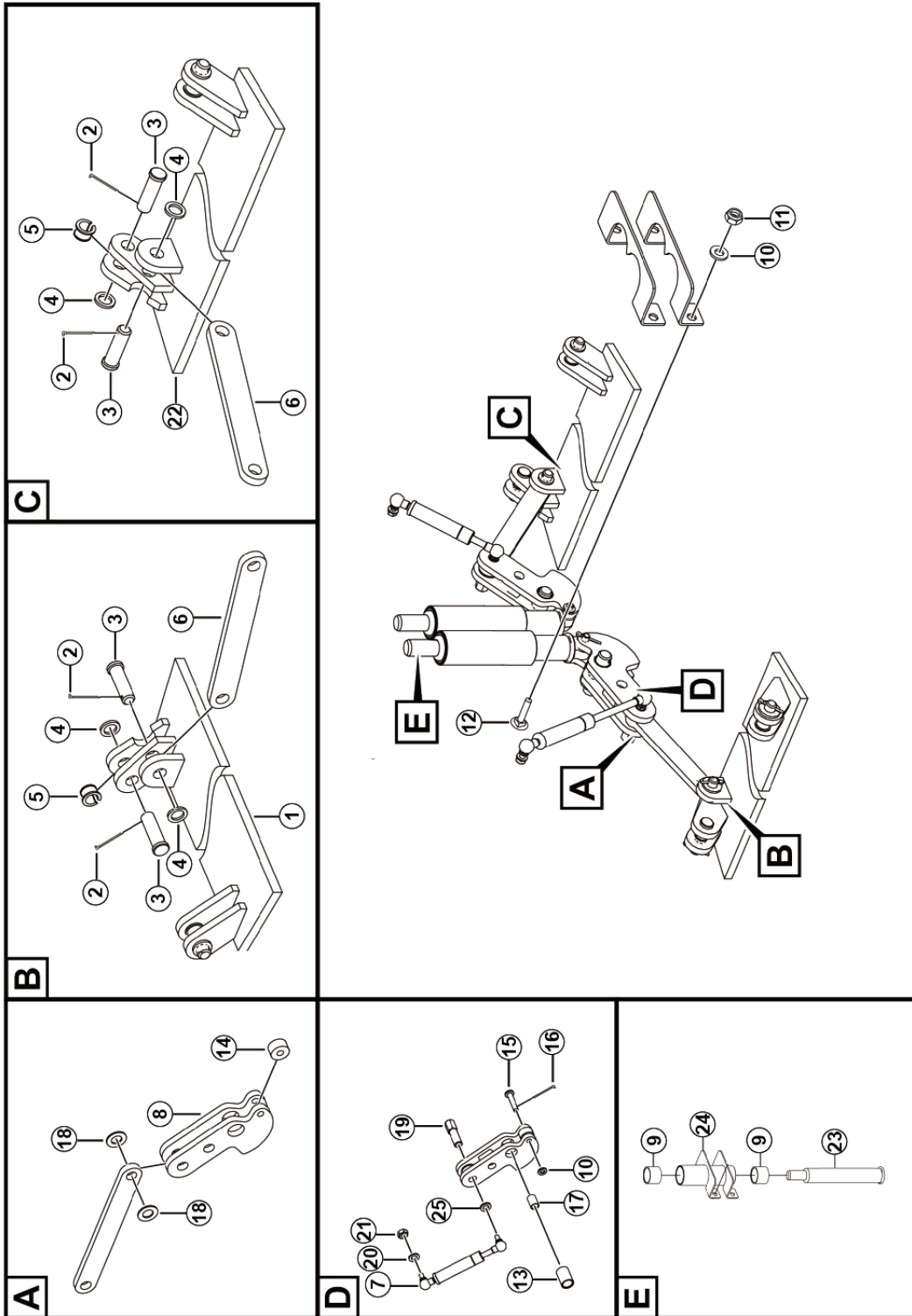


## Drive Chassis Components

Item	Part No.	Name	Qty.	Remark
1	25190000021	RH backplate	1	
2	4016010137	Pin GB91-4*28flZnyc-Q235A-480	6	
3	25190000242	Pin 16	6	
4	4015010342	No longer used	6	
5	25190000171	Shaft sleeve 16	4	
6	25190000571	Connecting rod	2	
7	25190000212	Gas spring	2	
8	25190000101	Welded connecting rod assy	2	
9	25200000141	Shaft sleeve	4	
10	4015010339	Washer GB97.1-10flZnyc-300HV-480	6	
11	4013010395	Nut GB889.1-M10flZnyc-10	4	
12	4011010725	Bolt GB14-M10*30flznyc-8.8	4	
13	25190000181	Shaft sleeve 20	2	
14	25190000221	Roller	2	
15	25190000231	Pin 10	2	
16	4016010138	Pin GB91-3.2*26flZnyc-Q235A-480	2	
17	25190000201	Spacer sleeve	2	
18	25190000192	Thin shim 16	4	
19	25190000251	Gas spring pin	2	
20	4015010280	Washer GB97.1-8flZnyc-300HV-480	2	
21	4013010291	Nut GB6170-M8flznyc-8-480	2	
22	25190000031	LH backplate	1	

C0900-2519000038.S1C-G1

Pothole protection mechanism



D0900-2519000038.S1C



## Drive Chassis Components

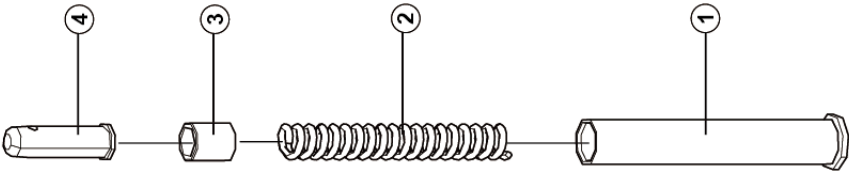
---

Item	Part No.	Name	Qty.	Remark
23		Finale assy		For illustration
24	25190000441	Shaft fixing module	1	
25	4015010289	Washer GB96.1-8fZnyc-300HV-480	2	

C0900-2519000316.S-G2

Pusher assy

D0900-2519000316.S



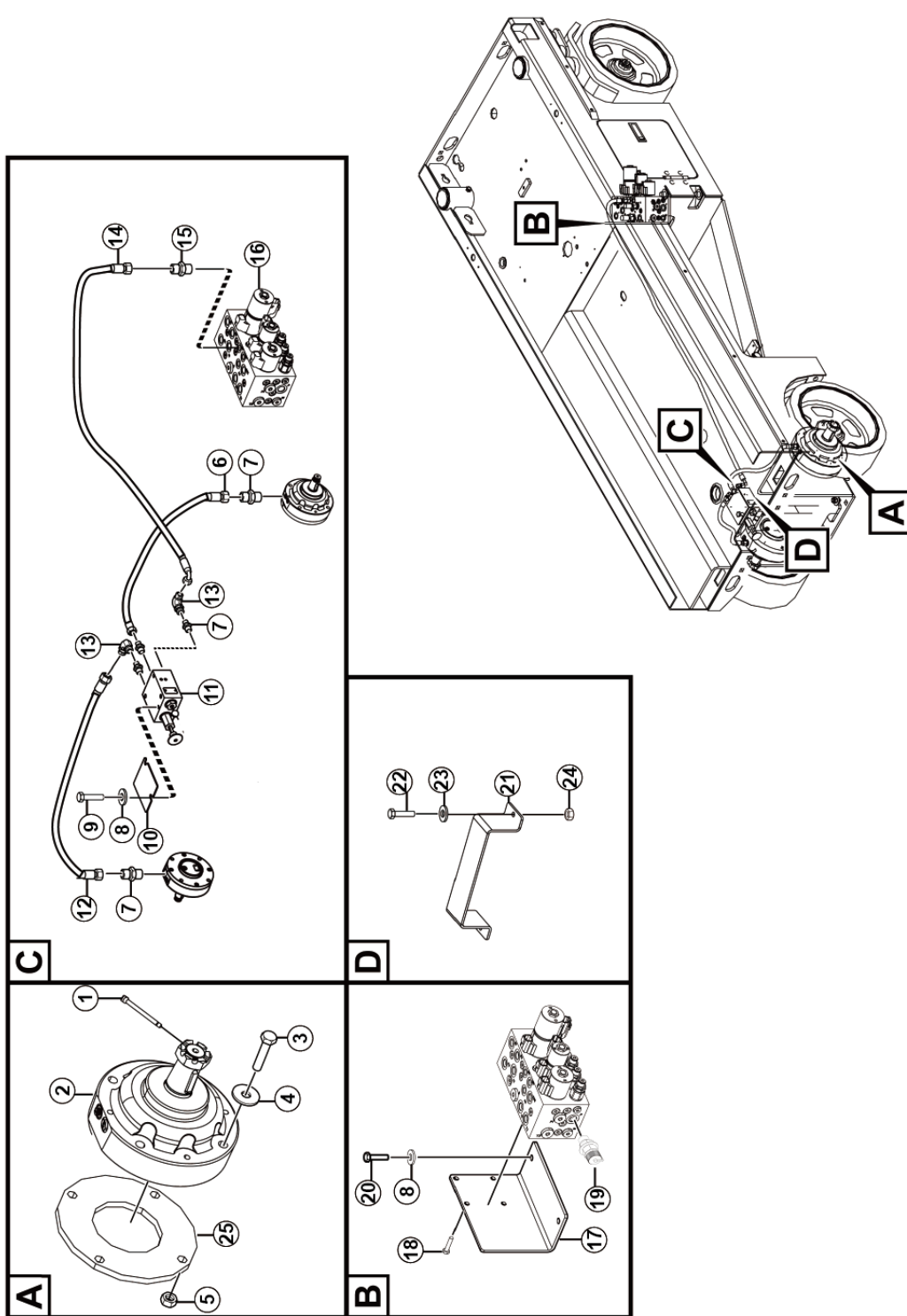


## Drive Chassis Components

Item	Part No.	Name	Qty.	Remark
1	25190003181	Pipe assy	1	
2	25190000351	Spring	1	
3	25190000301	Shaft sleeve	1	
4	25190000291	Shaft	1	

C1100-2506000064.S1F-G1

Service brake assy

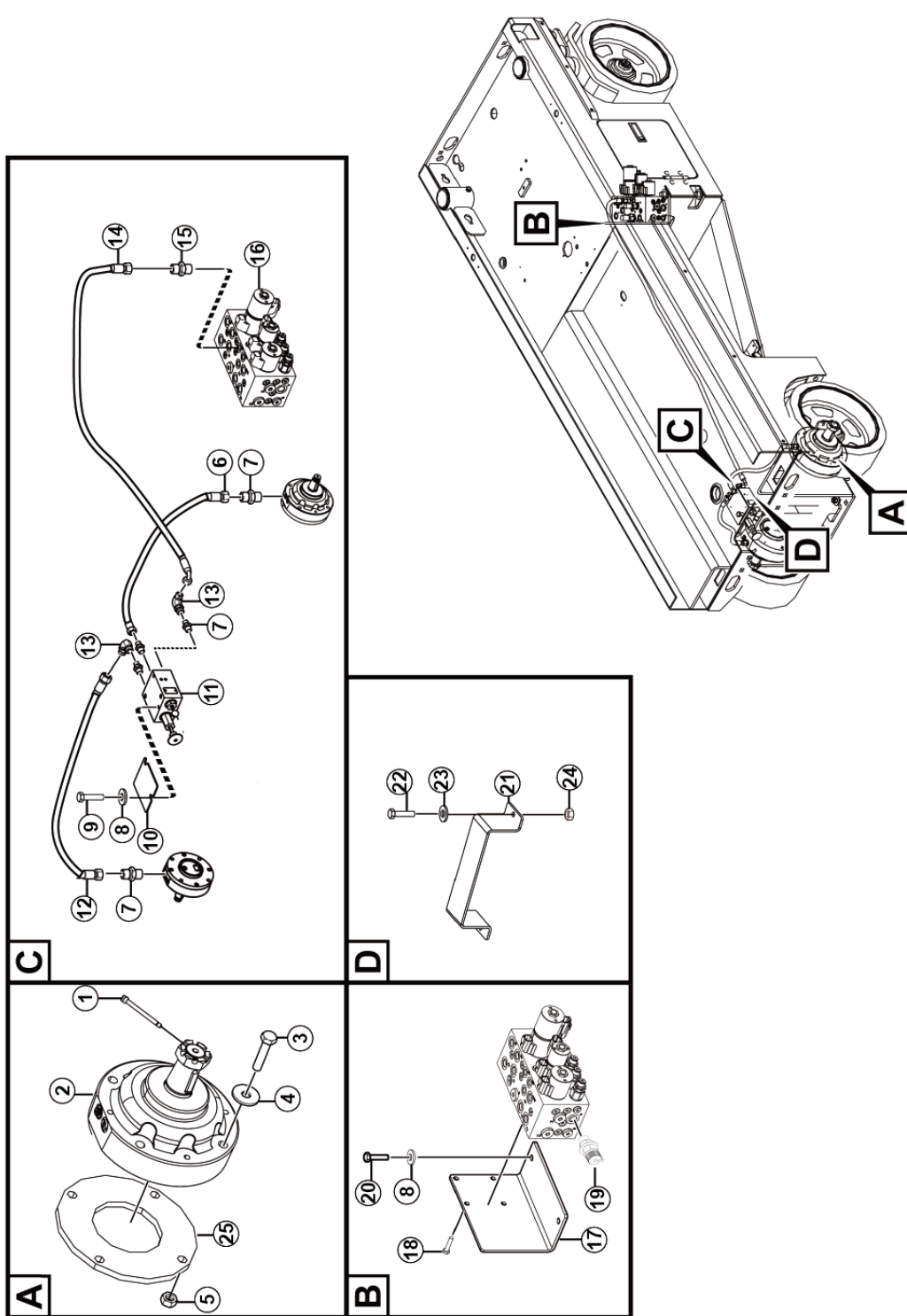


E1100-2506000064.S1F

Item	Part No.	Name	Qty.	Remark
1	4016010143	Pin GB91-4*70flZnyc-Q235A-480	2	
2	4120001129	Brake disc 913000K3031AAAAA	2	
3	4011011063	Bolt GB5782-M12*100flZnyc-10.9-480	8	
4	4015010340	Washer GB97.1-12flZnyc-300HV-480	8	
5	4013010368	Nut GB889.1-M12flznyc-10-480	8	
6	4120702823	No longer used	1	
7	4120001340	Joint 1CO-14-04	5	
8	4015010339	Washer GB97.1-10flZnyc-300HV-480	4	
9	4011011065	Bolt 3/8-16UNC-2B*32flZnyc-10.9-480	2	
10	25060000051	Plate	1	
11	4120001127	Brake release valve 960020A10AAAA	1	
12	4120703132	No longer used	1	
13	4120000868	90°joint 2C9-14Z	2	
14	4120001722	Hose F471TCCACF080804-1470-PG600	1	
15	4120001368	Straight joint 1CB-14-04WD	1	
16	4120704565	Scissor platform control valve ST4772-AEOB	1	
17	25060000042	Valve block fixing plate	1	
18	4011010964	Bolt GB16674.1-M8*16flZnyc-8.8-480	4	
19	4120001227	Pressure measuring joint EMA3/1/4ED	1	
20	4011010707	Bolt GB5783-M10*30flznyc-8.8-480	2	
21	25060000291	Bracket	1	
22	4011010743	Bolt GB5783-M8*25flznyc-8.8-480	2	

C1100-2506000064.S1F-G1

Service brake assy



E1100-2506000064.S1F



## Drive Chassis Components

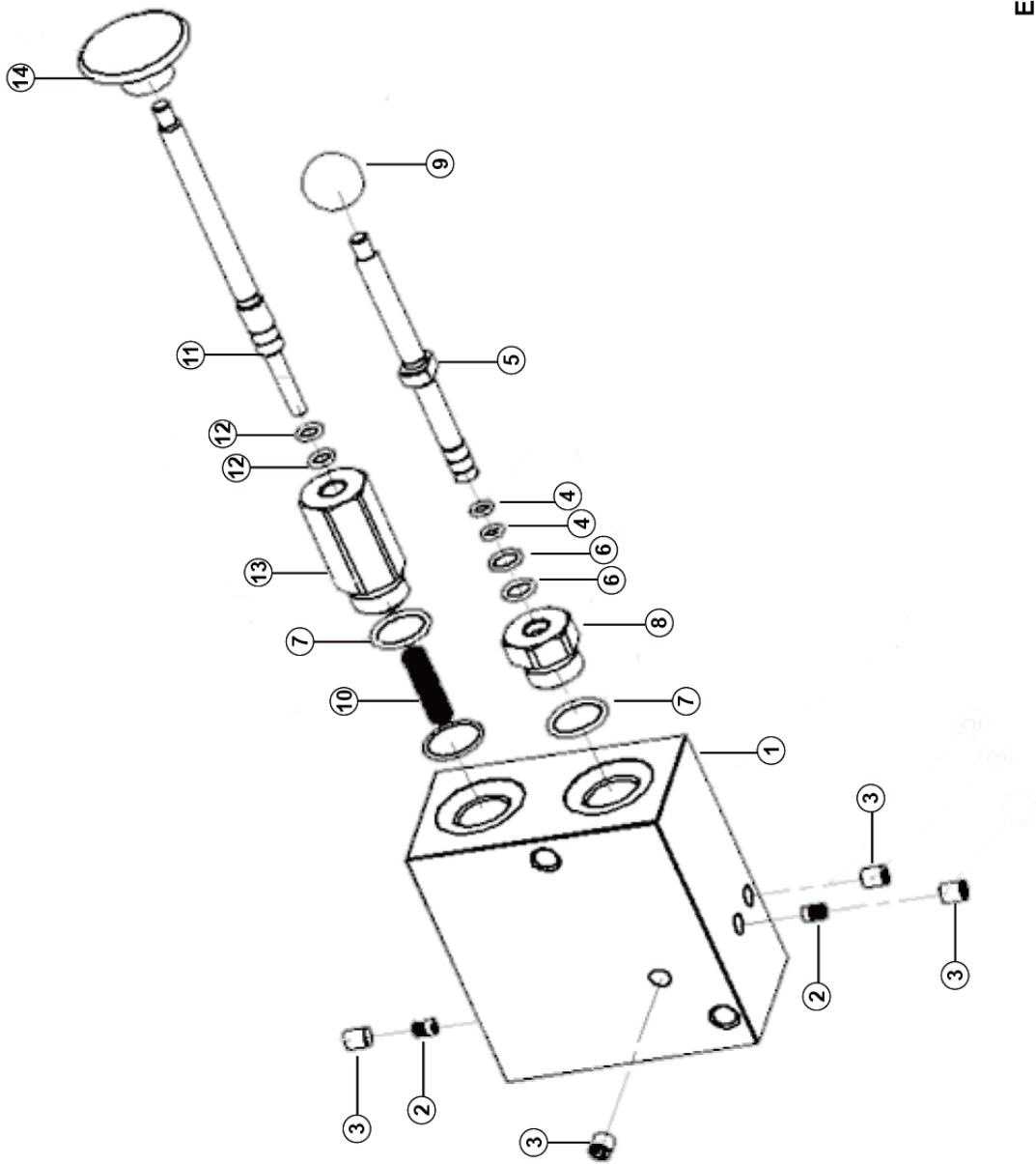
---

Item	Part No.	Name	Qty.	Remark
23	4015010280	Washer GB97.1-8flZnyc-300HV-480	2	
24	4013010291	Nut GB6170-M8flznyc-8-480	2	
25	25160001982	Flange	2	

C1100-4120001127.S

Brake release valve manifold 960020A10AAA

E1100-4120001127.S





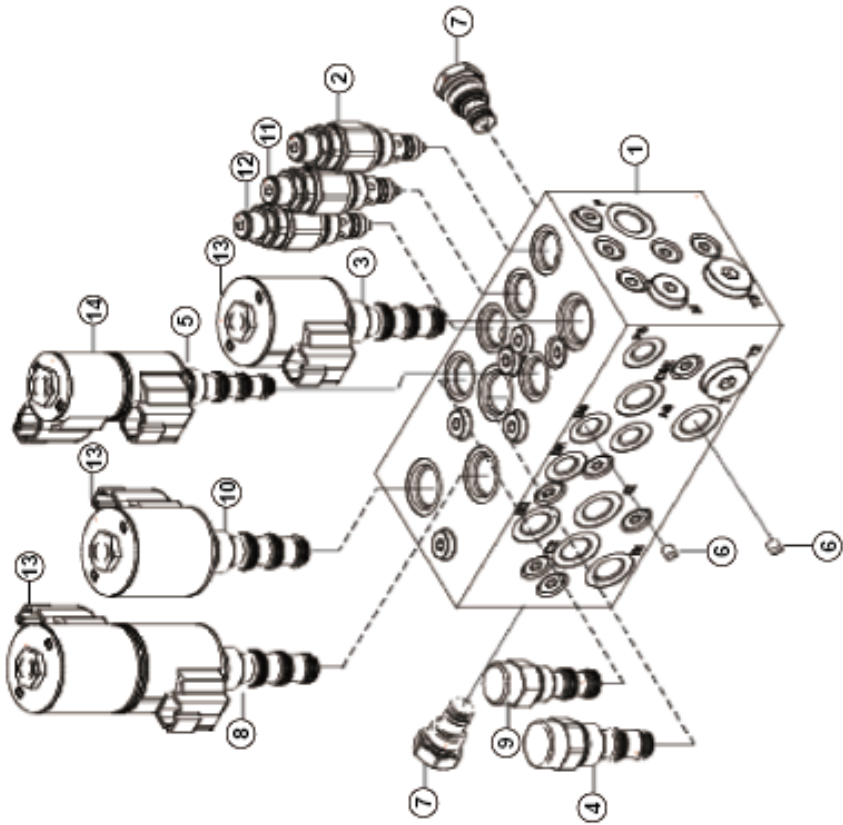
## Drive Chassis Components

Item	Part No.	Name	Qty.	Remark
1	4120001127001	Valve block 99*88*50	1	
2	4120001127002	Check valve PF5.5	2	
3	4120001127003	Steel ball plug QD07	4	
4	4120001127004	O-ring 4.5*1.8	2	
5	4120001127005	Control lever D14*106	1	
6	4120001127006	O-ring 7.59*2.65	2	
7	4120001127007	O-ring 16.36*2.21	2	
8	4120001127008	Valve sleeve S22*20.5	1	
9	4120001127009	Handle ball M6-20	1	
10	4120001127010	Spring 0.9*8*73.4	1	
11	4120001127011	Pressure regulating rod D9X136	1	
12	4120001127012	O-ring 5.7*1.9	2	
13	4120001127013	Valve sleeve S22*49	1	
14	4120001127014	Handle M6-38	1	

C1101-4120704565

Platform control valve manifold

E1101-4120704565





## Drive Chassis Components

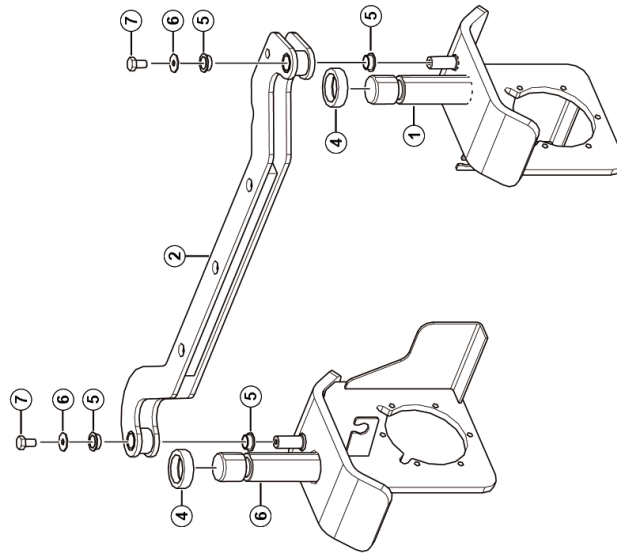
Item	Part No.	Name	Qty.	Remark
1	4120703475001	Manifold block ST4772-A00AM	1	
2	4120001490002	Relief valve STRV08-G-240A	1	
3	4120001159003	Solenoid valve assy SV10-40-0-N-0	1	
4	4120703475004	Priority valve FR10-30F-0-N-/M2.5	1	
5	4120001159005	3-position 4-way solenoid valve SV08-47A-0-N-0	1	
6	4120703639021	Orifice M6 STTY002-1.3	2	
7	4120001490007	Check valve STCV08-0-000A ( 36*22 )	2	
8	4120001490010	No longer used	1	
9	4120001159009	Compensator valve EP08-35-0-N-150	1	
10	4120703475011	Solenoid valve SV10-44-0-N-0	1	
11	4120001901002	Relief valve assy STRV08-G-210A	1	
12	4120001901001	Relief valve assy STRV08-B-120A	1	
13	4120001490012	Solenoid 4303720	4	
14	4120001490011	Solenoid 4303620	2	



**C1200-2517000217.S-G2**

**Steering mechanism**

F1200-2517000217.S



— 0 00

# Drive Chassis Components



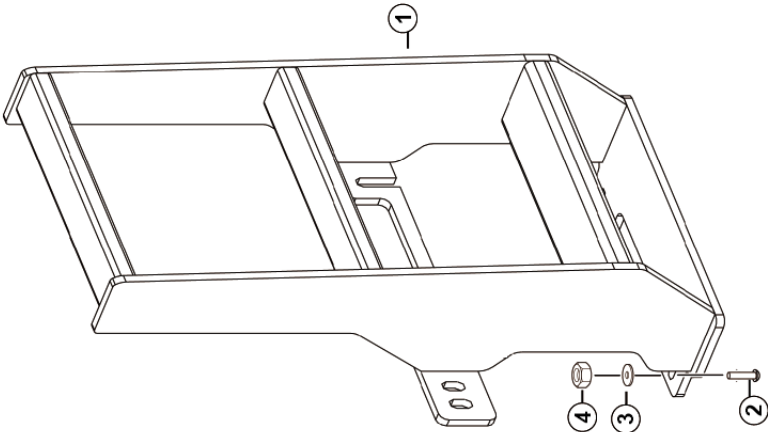
Item	Part No.	Name	Qty.	Remark
1	25170002192	RH steering knuckle	1	
2	25170001733	Steering plate wldmt	1	
3	25170002182	LH steering knuckle	1	
4	25170000182	Copper pad	2	
5	25170000151	Bush	4	
6	4015000186	Washer GB96.1-12EpZn-300HV	2	
7	4011010275	Bolt GB5786-M12*1.5*25EpZn-10.9	2	



C1700-2529000586.S4C-G1

Covering accessories assy

11700-2529000586.S4C



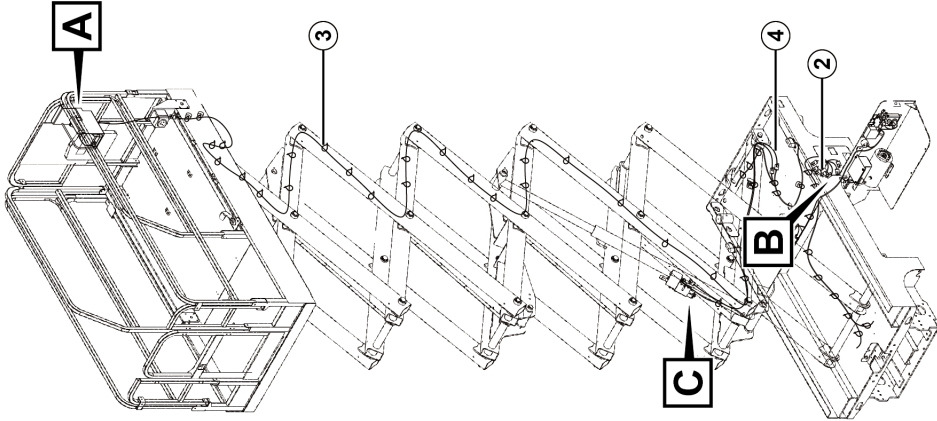


## Drive Chassis Components

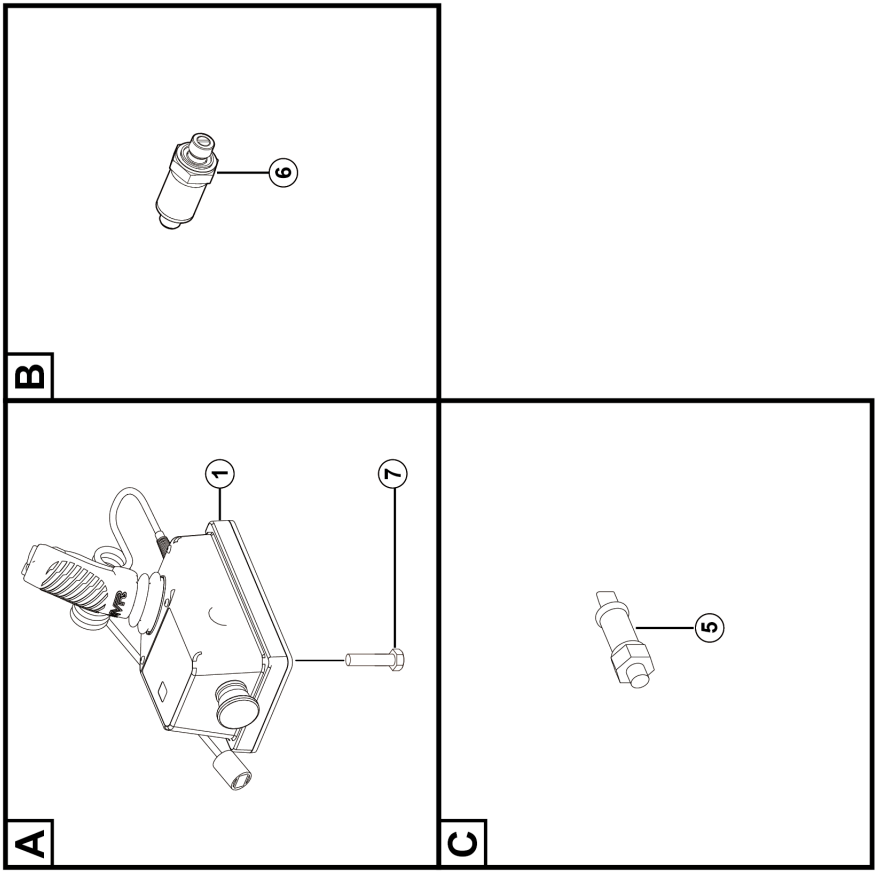
Item	Part No.	Name	Qty.	Remark
1	25290005874	Ladder wldmt	1	
2	4011011010	Bolt GB14-M12*40flZnyc-8.8-480	6	
3	4015010286	Washer GB96.1-12flZnyc-300HV-480	6	
4	4013010301	Nut GB889.1-M12flznyc-8-480	6	

C2900-2530000342.S1B-G2

Control elec assy



M2900-2530000342.S1B



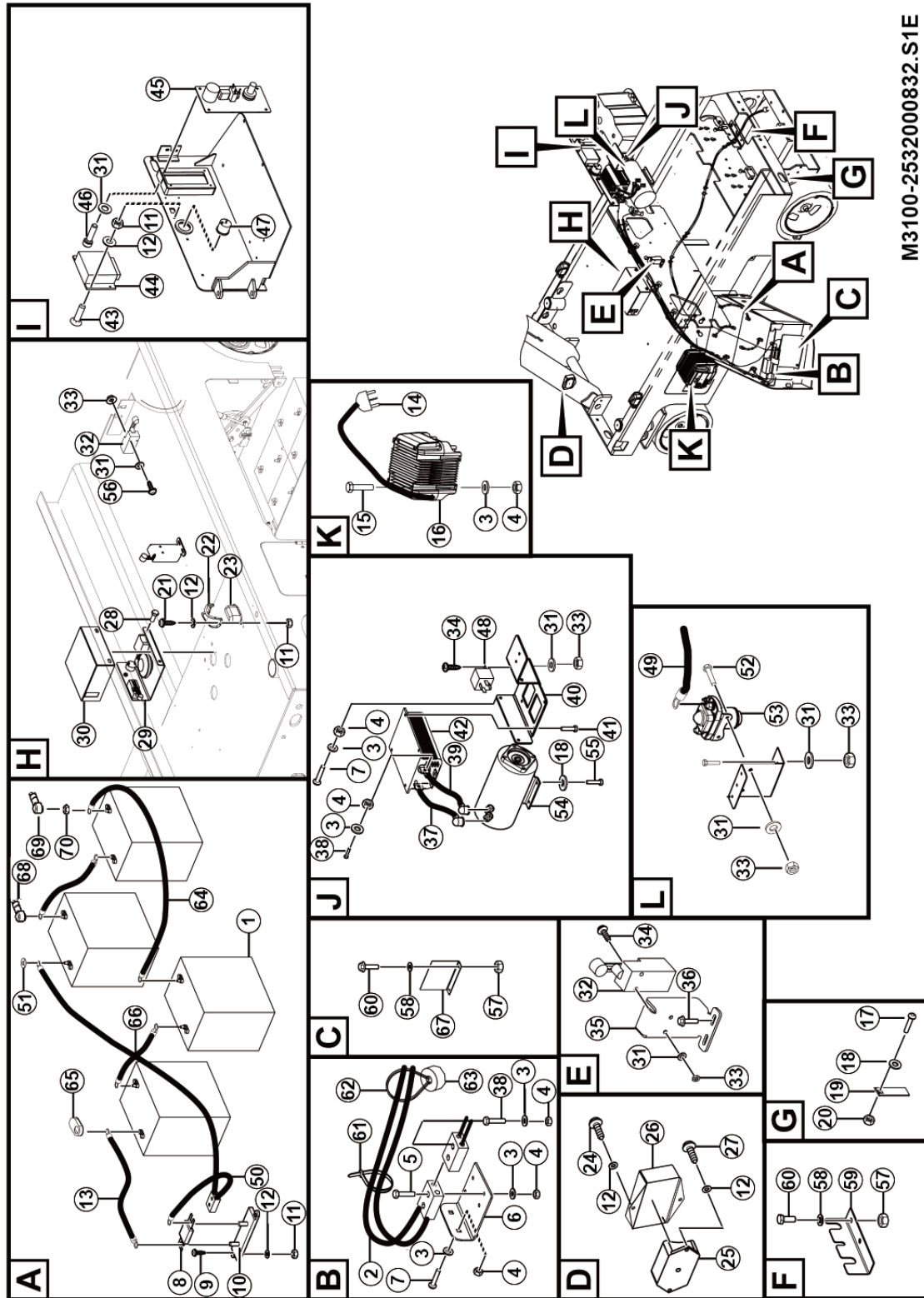


## Drive Chassis Components

Item	Part No.	Name	Qty.	Remark
1	4130001286	Platform controller C0101001	1	
2	25300001673	Main harness	1	
3	25300000351	PCU harness	1	
4	25300003472	Fork harness	1	
5	4130001234	Pressure sensor HP330-250BG-K1P5	1	
6	4120702931	Pressure switch	1	
7	4011010234	Bolt GB16674.1-M6*12EpZn-8.8	4	

C3100-2532000832.S1E-G1

Chassis elec assy

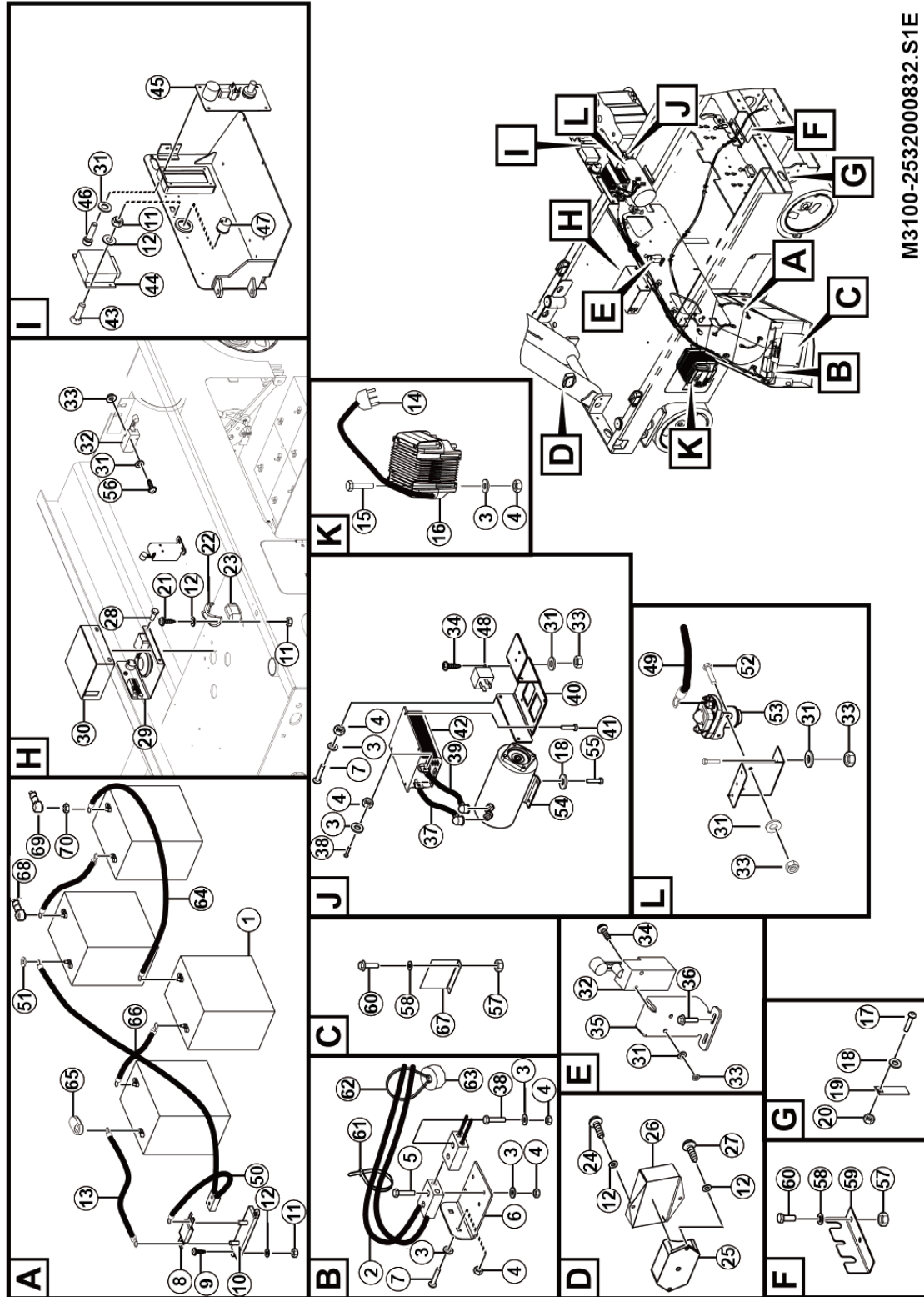


M3100-2532000832.S1E

Item	Part No.	Name	Qty.	Remark
1	4130000709	Battery T105	4	
2	25320014082	Power cable assy	1	
3	4015000207	Washer GB97.1-6EpZn-300HV	17	
4	4013000211	Nut GB889.1-M6EpZn-8	17	
5	4011000286	Bolt GB5783-M6*35EpZn-8.8	2	
6	25320000831	Fuse fixing plate	1	
7	4014010056	Screw GB70.3-M6*20EpZn-8.8	6	
8	4130000836	Fuse 0298300 ( Lite )	1	
9	4014000087	Screw GB818-M4*16EpZn-4.8	2	
10	4130000956	Fuse seat 02981001ZXT	1	
11	4013000025	Nut GB6170-M4EpZn-8	10	
12	4015000135	Washer GB97.1-4EpZn-300HV	18	
13	25320000712	Power cable P35*300	1	
14	25320001651	Charging harness ( CE )	1	
15	4014000278	Screw GB70.1-M6*25EpZn-8.8	4	
16	4130702292	Charger GPSC3024-LG-0X	1	
17	4011010432	Bolt GB12-M8*30EpZn-8.8	1	
18	4015000256	Washer GB96.1-8EpZn-300HV	6	
19	25320002461	Braided wire conductive tape	1	
20	4013000210	Nut GB889.1-M8EpZn-8	1	
21	4014000022	Screw GB818-M4*20EpZn-4.8	4	
22	25320000192	Shield	2	

C3100-2532000832.S1E-G1

Chassis elec assy

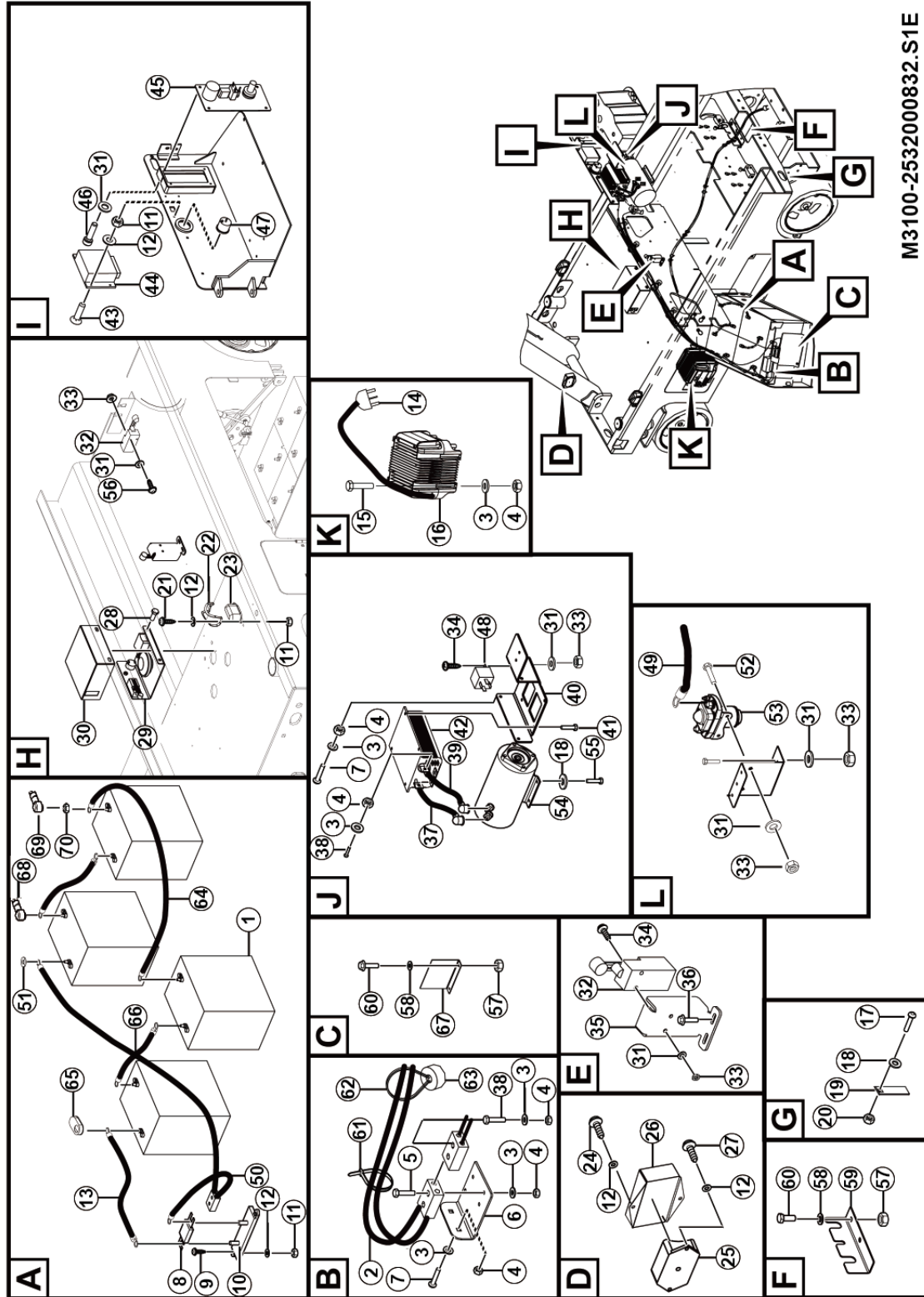


M3100-2532000832.S1E

Item	Part No.	Name	Qty.	Remark
23	4130000729	Working indicator lamp	2	
24	4014010003	Screw GB818-M4*10EpZn-8.8	2	
25	4130000734	Angle sensor SYSA	1	
26	25320000351	Angle sensor shield	1	
27	4014000121	Screw GB818-M4*6EpZn-4.8	2	
28	4011000461	Bolt GB16674.1-M8*16EpZn-8.8	3	
29		Bracket assy		For illustration
30	25320000341	Shield	1	
31	4015000110	Washer GB97.1-5EpZn-300HV	18	
32	4130000796	Travel switch CLS-121	3	
33	4013000212	Nut GB889.1-M5EpZn-8	12	
34	4014000170	Screw GB70.1-M5*16EpZn-8.8	4	
35	25320000362	Plate	1	
36	4014010052	Screw GB70.1-M5*40EpZn-8.8	2	
37	25320000692	Power cable P35*170	1	
38	4011000153	Bolt GB16674.1-M6*16EpZn-8.8	3	
39	25320004542	Power cable P35*170	1	
40	25320001851	Motor controller mounting plate	1	
41	4011000154	Bolt GB16674.1-M6*20EpZn-8.8	4	
42	4130000717	Motor controller 1204M-4201	1	
43	4014010058	Screw GB70.3-M4*16EpZn-8.8	4	
44	4130701559	ELEK control unit	1	

C3100-2532000832.S1E-G1

Chassis elec assy

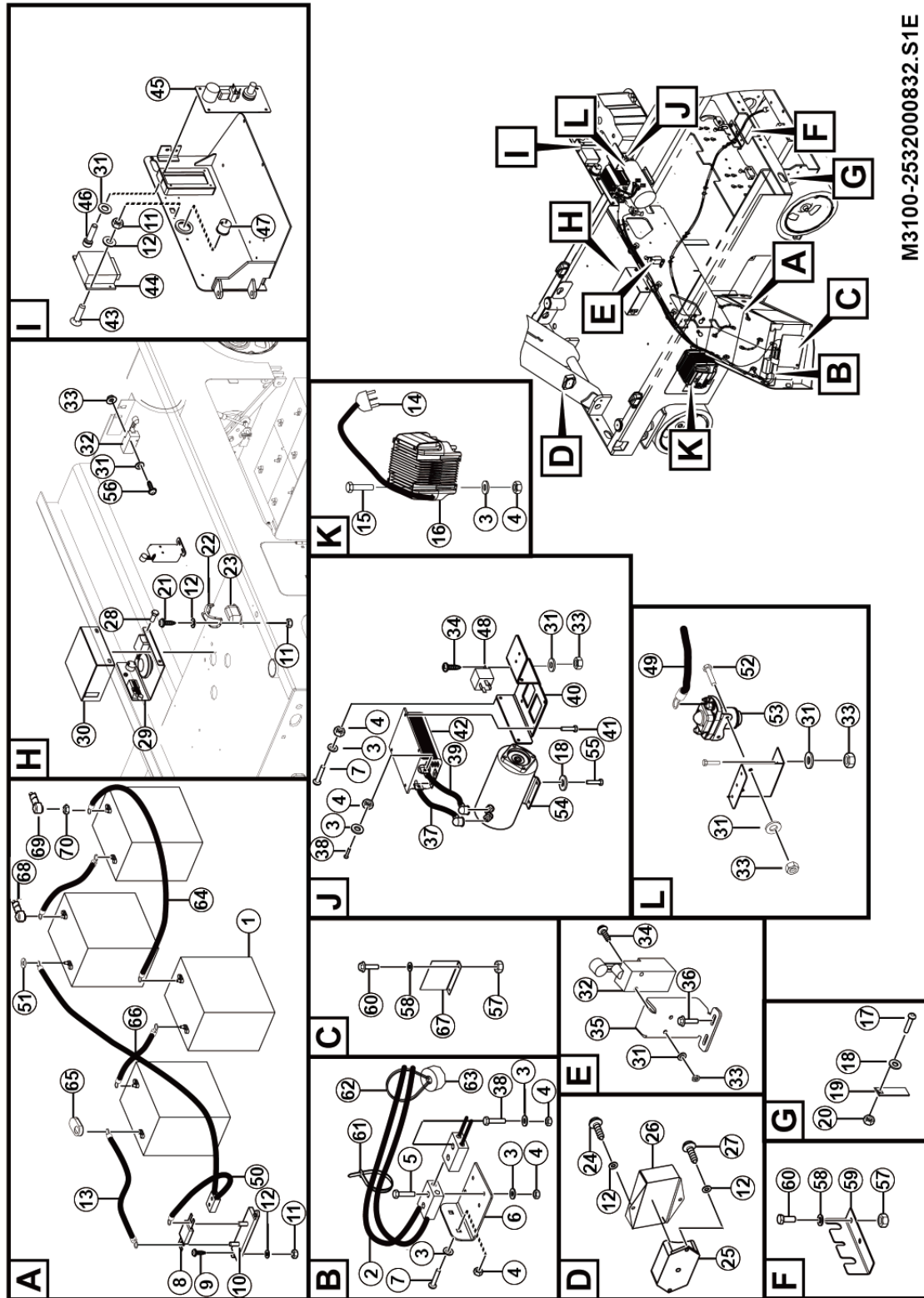


M3100-2532000832.S1E

Item	Part No.	Name	Qty.	Remark
45	4130001288	GCU panel	1	
46	4014000241	Screw GB70.1-M5*10EpZn-8.8	4	
47	4130000726	Hour meter LY-748	1	
48	4130000722	Relay HHZ024-1Z6SGR ( U )	3	
49	25320002442	Power cable P35*200	1	
50	25320000722	Power cable assy	1	
51	25320003561	Flat pad 8	8	
52	4011010372	Bolt GB16674.1-M5*16EpZn-8.8	2	
53	4130702085	Main contactor 24V	1	
54	4130000710	Motor GE5.5 ( 24V )	1	
55	4011010424	Bolt 1/4-20UNC-2B*18-10.9	4	
56	4014000244	Screw GB70.1-M5*45EpZn-8.8	4	
57	4013000189	Nut GB889.1-M10EpZn-8	4	
58	4015000197	Washer GB96.1-10EpZn-300HV	4	
59	25080000041	Fixing plate	1	
60	4011000474	Bolt GB16674.1-M10*25EpZn-8.8	4	
61	4190000020	Tie LG13-ZS4*250	20	
62	4190000145	Cable tie 8*430	7	
63	4120000226	Spacer ring	7	
64	25320000672	Power cable P35*290	1	
65	25320000171	Battery sheath	8	
66	25320000662	Power cable P35*170	2	

C3100-2532000832.S1E-G1

Chassis elec assy



M3100-2532000832.S1E



## Drive Chassis Components

Item	Part No.	Name	Qty.	Remark
67	25320000061	Plate	1	
68	25320015671	Power cable cap ( Red )	8	
69	25320015681	Power cable cap ( Black )	7	
70	4013010382	Nut IF1145-5/16-18UNC-2B	8	

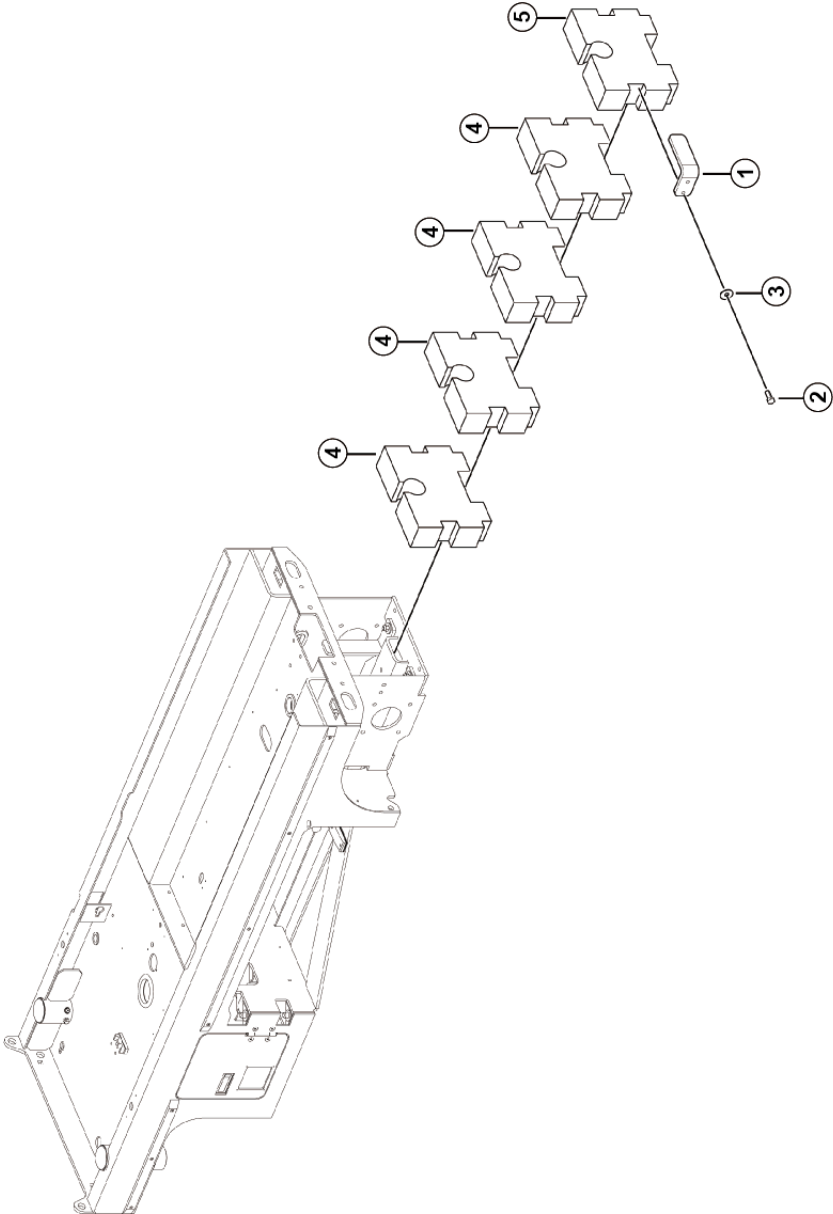


**D**

# **Turntable Components**

D1600-2528000010.A2D-G2

Counterweight assy



H1600-2528000010.A2D



## Turntable Components

Item	Part No.	Name	Qty.	Remark
1	25160001992	Guard	2	
2	4011000082	Bolt GB5783-M10*25EpZn-8.8	4	
3	4015000197	Washer GB96.1-10EpZn-300HV	4	
4	25280001881	RR backend counterweight	4	
5	25280001871	RR backend counterweight I	1	

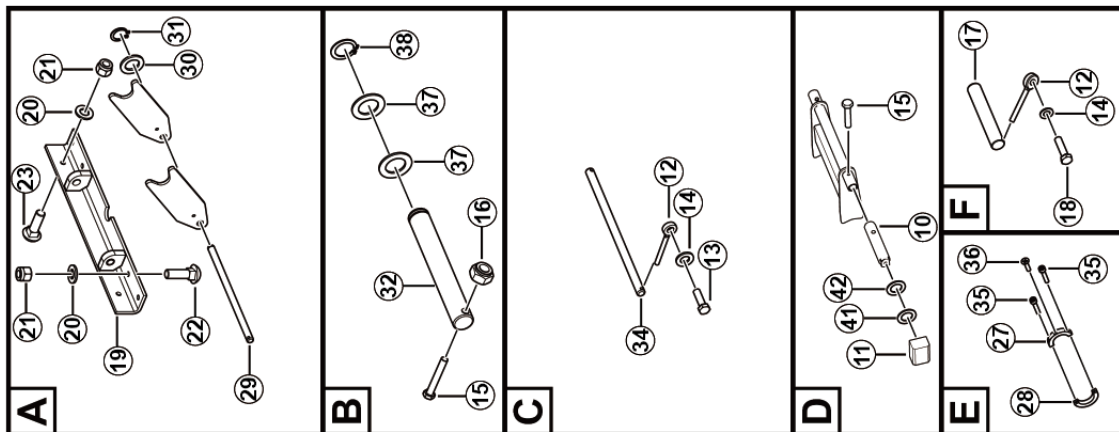
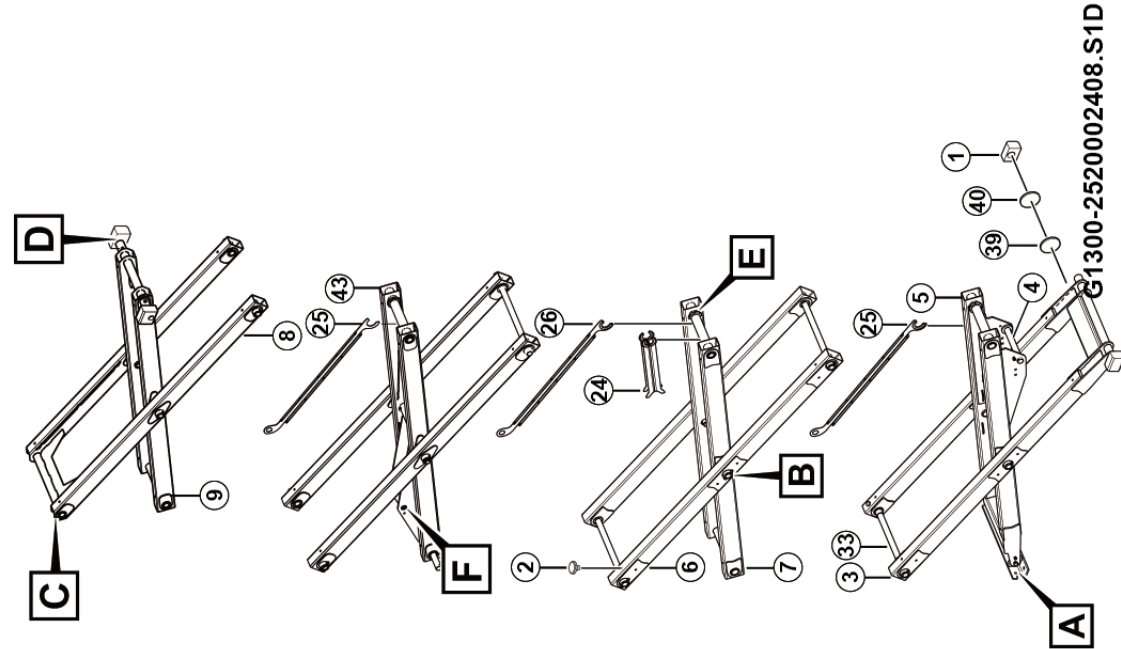


**E**

**Scissor(Boom Structure)  
Components**

E1300-2520002408.S1D-G2

Scissor assy



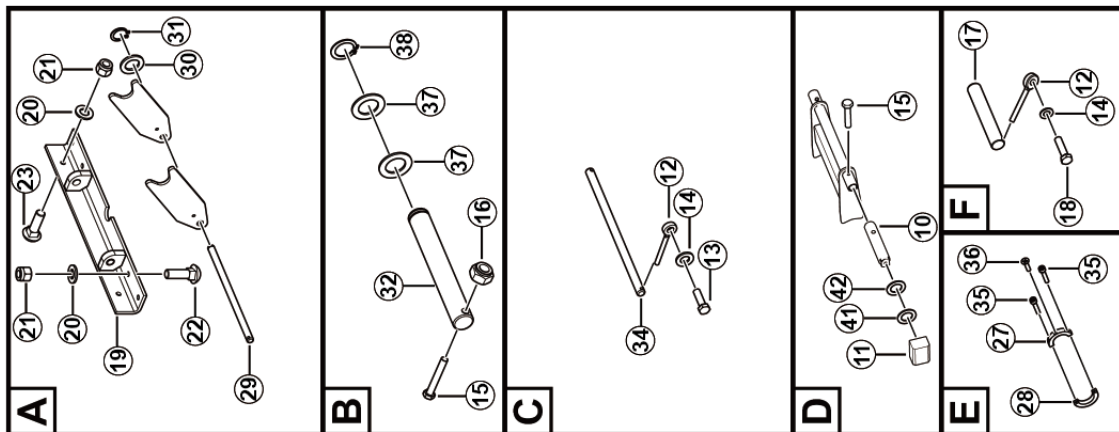
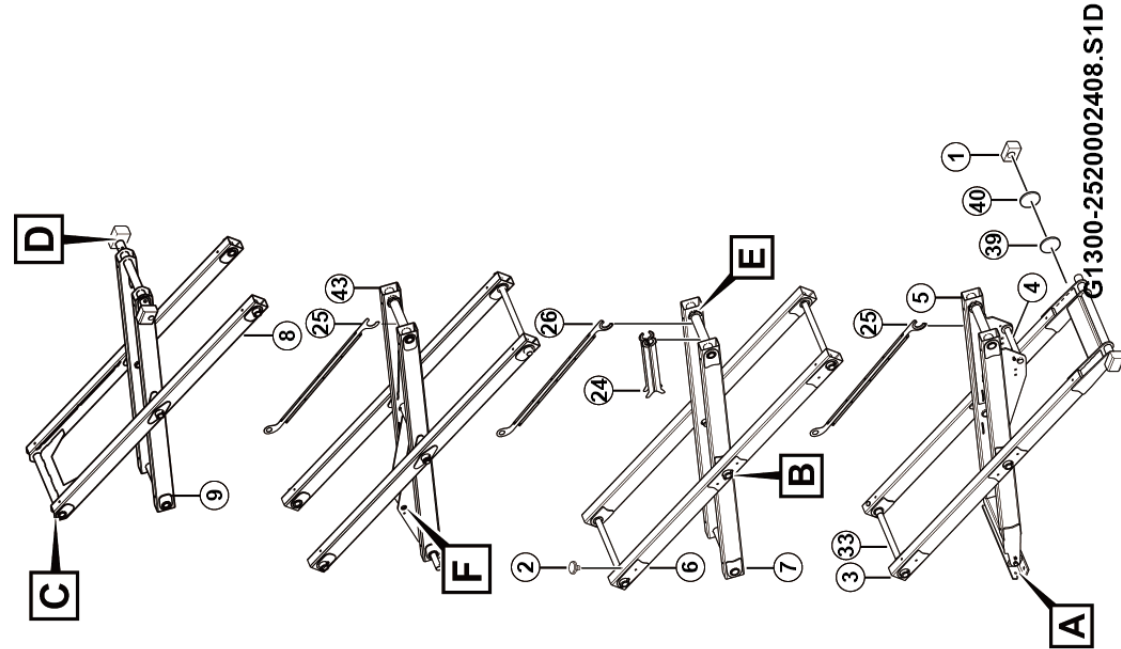


## Scissor(Boom Structure) Components

Item	Part No.	Name	Qty.	Remark
1	25200023041	Slider	2	
2	25200000402	Rubber plug	24	
3	25200023843	1st outer arm wldmt	1	
4	4043010149	Pin LZB001 A38*311*11	1	
5	25200023863	1st inner arm assy	1	
6	25200023803	Outer arm wldmt	4	
7	25200022683	4th inner arm assy	1	
8		4th outer arm assy		For illustration
9	25200023782	4th inner arm assy	1	
10	25200003041	Half-shaft	2	
11	25200007141	Slider	2	
12	25200000641	Latch	4	
13	4011010707	Bolt GB5783-M10*30flZnyc-8.8-480	2	
14	4015010339	Washer GB97.1-10flZnyc-300HV-480	6	
15	4011010724	Bolt GB5782-M10*75flZnyc-8.8-480	15	
16	4013010296	Nut GB889.1-M10flZnyc-8	17	
17	4043010148	Pin LZB001 A38*207*11	1	
18	4011010706	Bolt GB5783-M10*40flZnyc-8.8-480	2	
19	25200001672	Fixing plate assy	1	
20	4015010286	Washer GB96.1-12flZnyc-300HV-480	4	
21	4013010301	Nut GB889.1-M12flZnyc-8-480	4	
22	4011011010	Bolt GB14-M12*40flZnyc-8.8-480	2	

E1300-2520002408.S1D-G2

Scissor assy



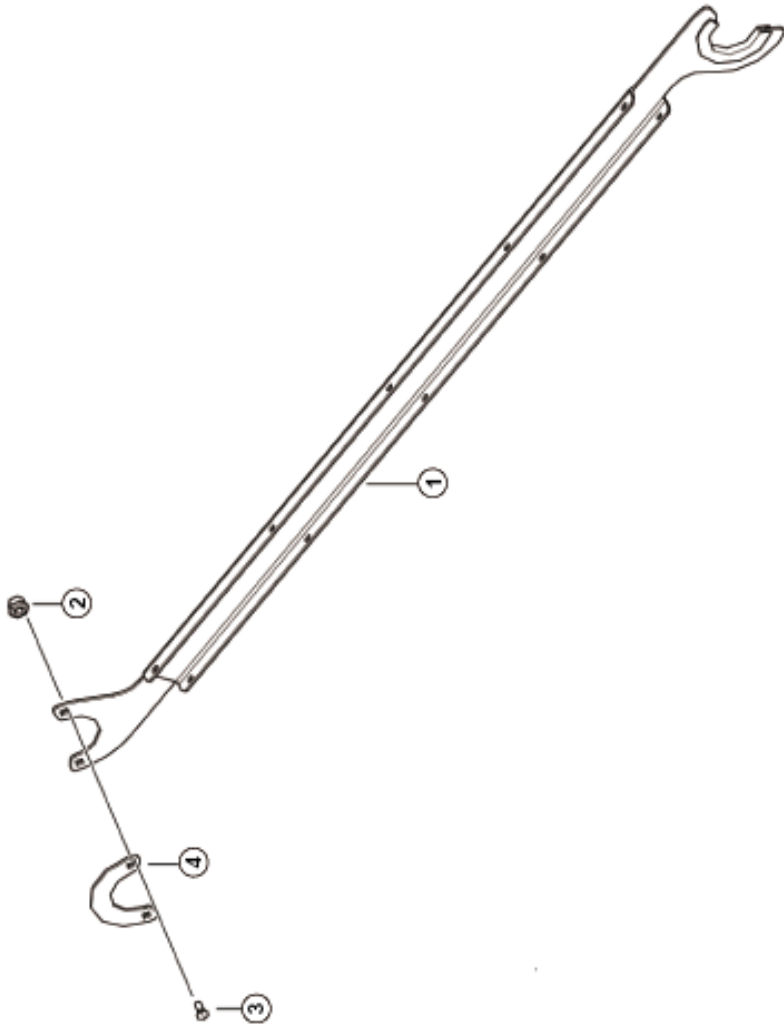


## Scissor(Boom Structure) Components

Item	Part No.	Name	Qty.	Remark
23	4011011037	Bolt GB14-M12*35fIZnyc-8.8-480	2	
24	25200000442	Protective arm	1	
25	25200000631	Cabling plate	2	
26	25200001302	Cabling plate	1	
27	25200001531	Fixing ring	3	
28	25200001541	Fixing ring	3	
29	4043010128	Pin LZB001 B25*471*11	1	
30	25200000861	Washer	1	
31	4015010275	Snap ring JB4342-25-65Mn	1	
32	4043010124	Pin LZB001 B38*206*11	6	
33	4043010129	Pin LZB001 B38*684*11	7	
34	4043010117	Pin LZB001 B38*700*11	1	
35	4014010356	No longer used	6	
36	4014010112	Screw GB819.1-M6*20fIZnyc-4.8-480	3	
37	25200000491	Washer 51*38*3	18	
38	4015010249	No longer used	14	
39	25200009921	Adjustment plate	2	
40	25200009931	Adjustment plate	2	
41	25200002751	Adjusting washer	2	
42	25200002761	Adjusting washer	2	
43	25200023753	3rd inner arm assy	1	

E1300-2520000130.B1A-G1

Cable routing plate assy



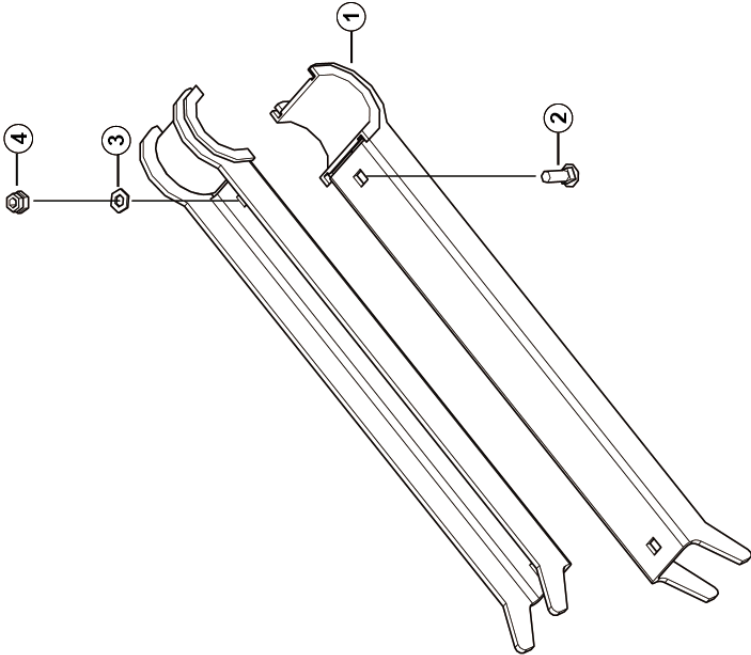
G1300-2520000130.B1A



## Scissor(Boom Structure) Components

Item	Part No.	Name	Qty.	Remark
1	25200001891	Cabling plate	1	
2	4013000211	Nut GB889.1-M6EpZn-8	2	
3	4011010447	Bolt GB14-M6*16EpZn-8.8	2	
4	25200001291	Arc plate	1	

G1300-252000044.B2D





## Scissor(Boom Structure) Components

Item	Part No.	Name	Qty.	Remark
1	25200001863	Bent plate assy	2	
2	4011010427	Bolt GB14-M10*30EpZn-8.8	2	
3	4015000162	Washer GB97.1-10EpZn-300HV	2	
4	4013000189	Nut GB889.1-M10EpZn-8	2	



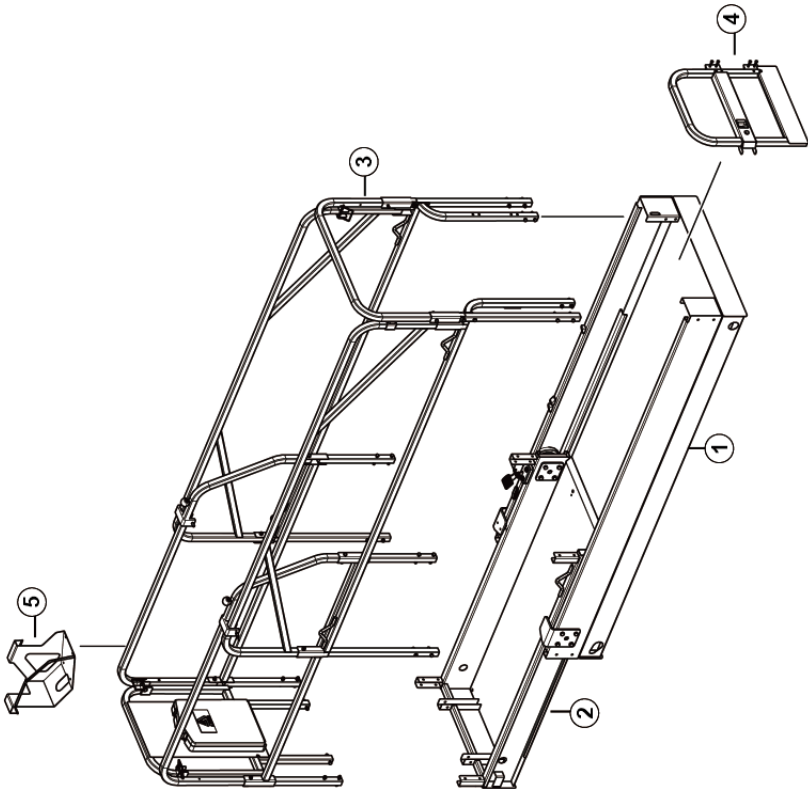
**F**

# **Platform Components**

F2100-2521003820.S-G1

Platform assy

K2100-2521003820.S





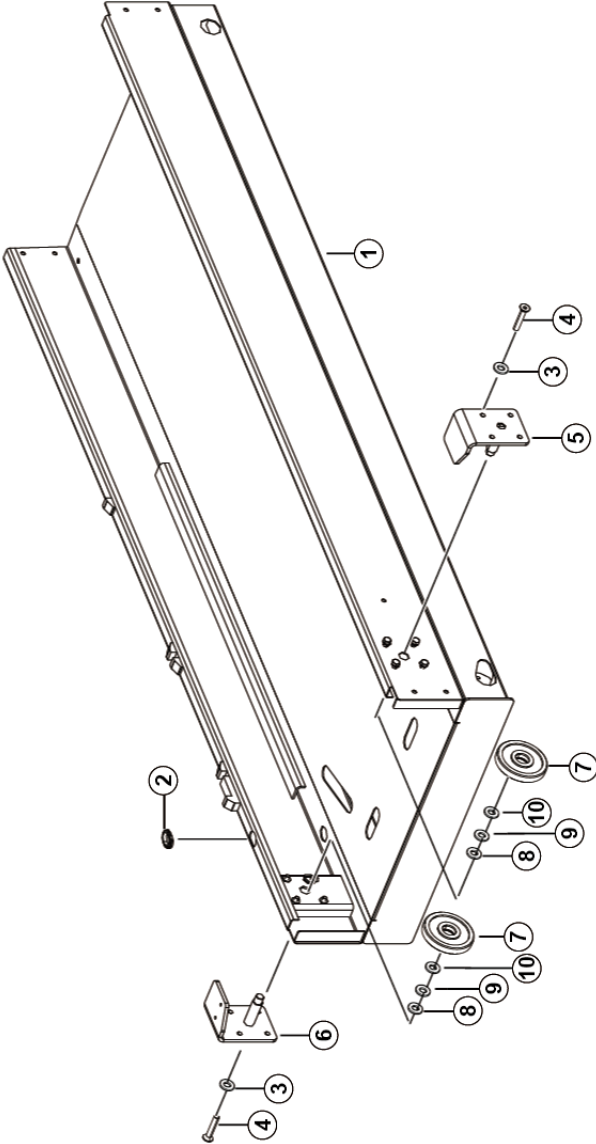
## Platform Components

Item	Part No.	Name	Qty.	Remark
1		Main platform assy		For illustration
2		Extension platform		For illustration
3		Guardrail assy		For illustration
4		Semi-swing door		For illustration
5	25210029621	Bracket	1	



F2100-2521003804.S1A-G1

Main platform assy



K2100-2521003804.S1A



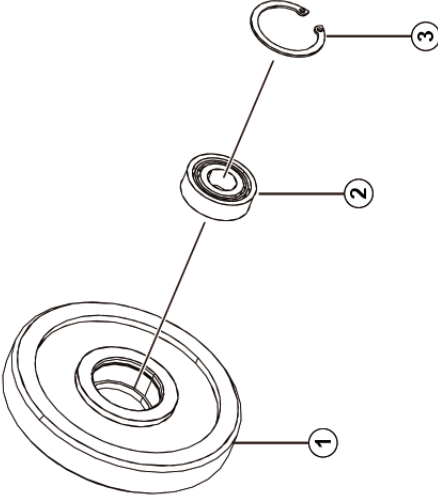
## Platform Components

Item	Part No.	Name	Qty.	Remark
1	25210038038	Main platform wldmt	1	
2	25210042571	Rubber sleeve	2	
3	4015000162	Washer GB97.1-10EpZn-300HV	8	
4	4011000049	Bolt GB5782-M10*55EpZn-8.8	8	
5	25210030191	Wheel frame	1	
6	25210021043	Wheel frame	1	
7		Wheel assy		For illustration
8	25210011191	Adjusting gasket 20*0.5	2	
9	25210011181	Adjusting gasket 20*1	2	
10	25210011171	Adjusting gasket 20*2	2	

F2100-2521003593.S2A-G1

Wheel assy

K2100-2521003593.S2A





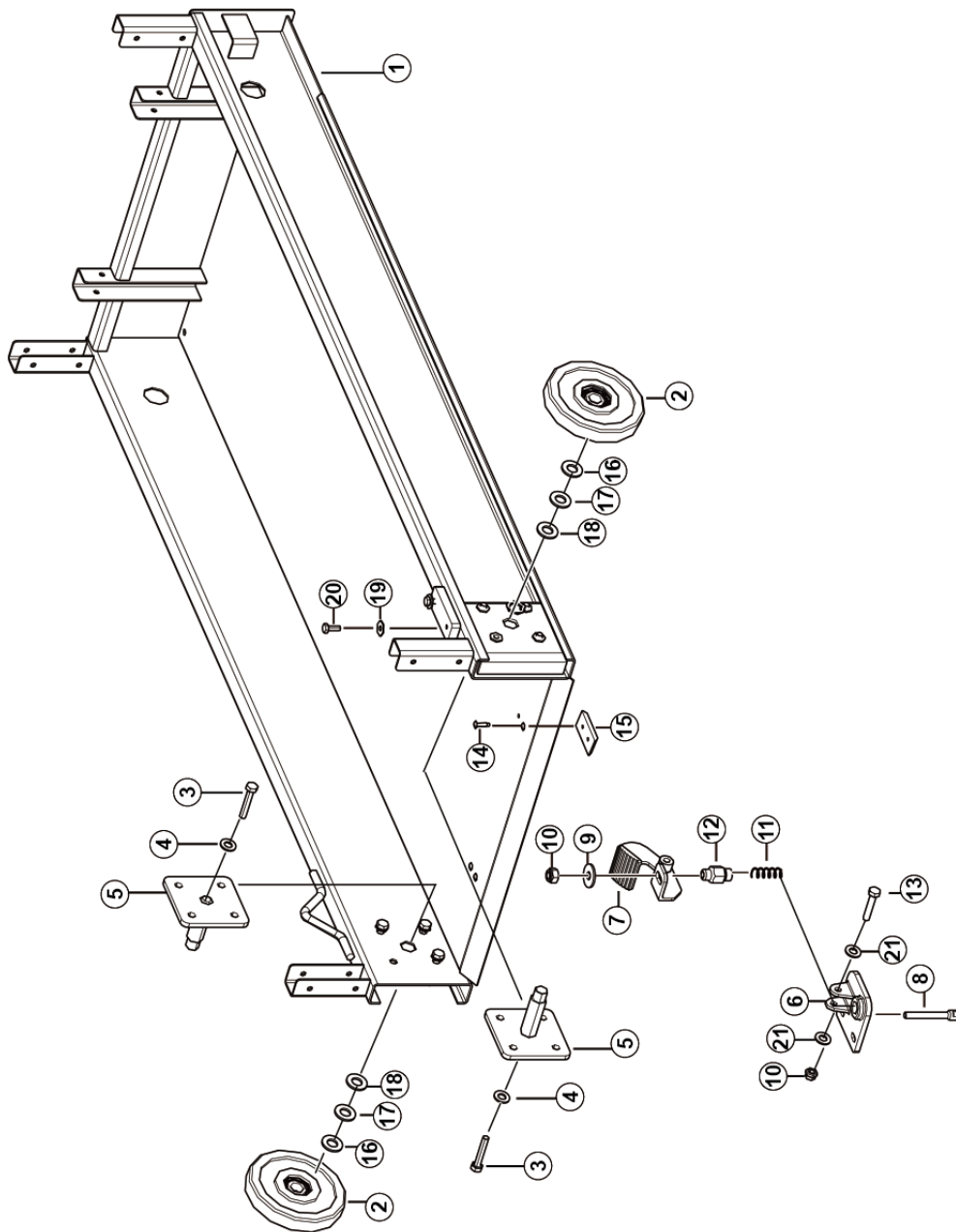
## Platform Components

---

Item	Part No.	Name	Qty.	Remark
1	25210035921	Wheel	1	
2	4021010017	Bearing GB276-6204-2Z	1	
3	4019010279	Snap ring GB893.1-47fIznyc-65Mn-480	1	

F2100-2521003860.S1A-G1

Extension platform assy



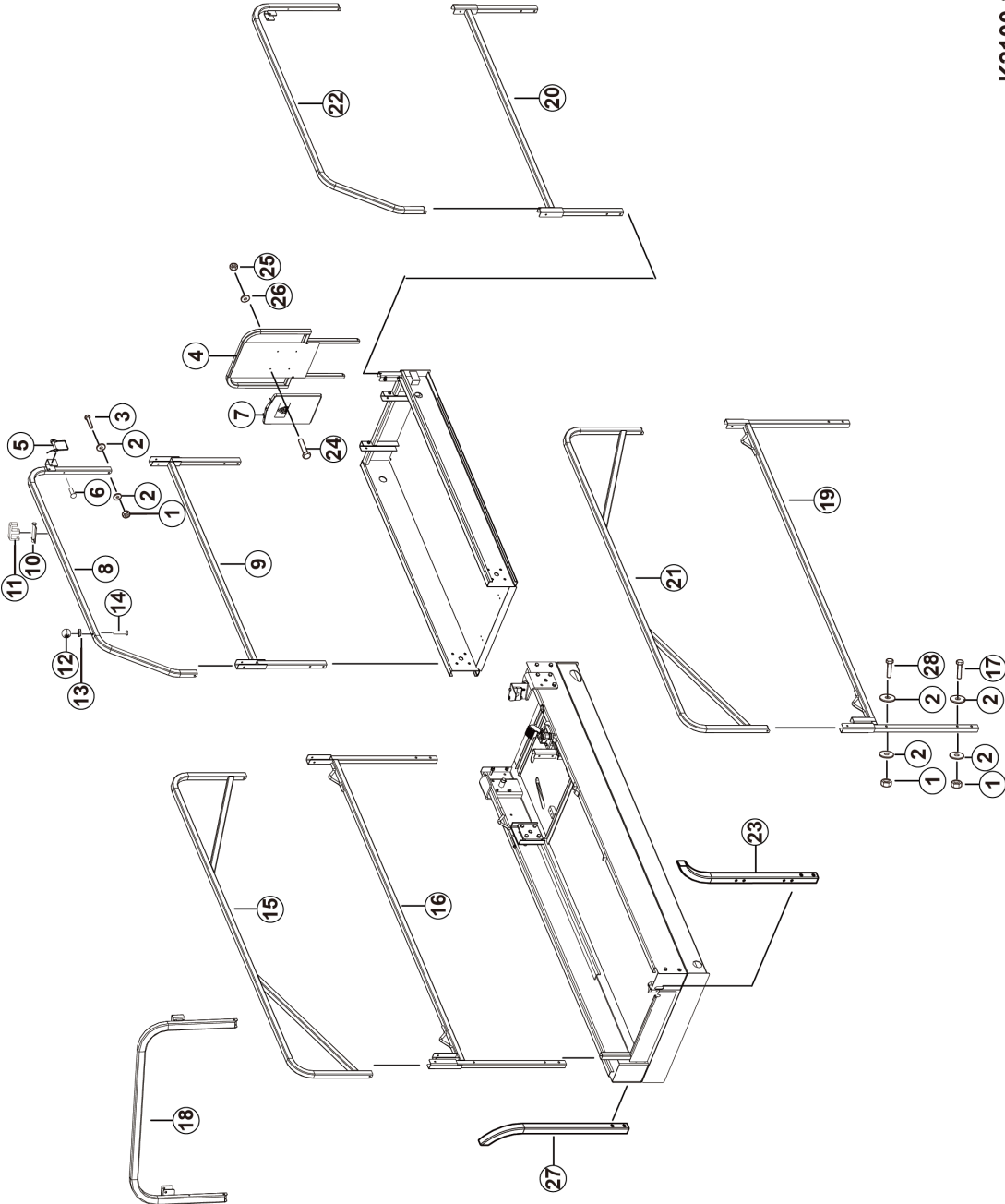
K2100-2521003860.S1A

Item	Part No.	Name	Qty.	Remark
1	25210038593	Extension platform wldmt	1	
2		Wheel assy		For illustration
3	4011000049	Bolt GB5782-M10*55EpZn-8.8	8	
4	4015000162	Washer GB97.1-10EpZn-300HV	8	
5	25210030211	Wheel frame	2	
6	25210012192	Mount	1	
7	25210036501	Pedal	1	
8	25210002911	Spring pin	1	
9	4015010278	Washer GB96.1-10flZnyc-300HV-480	1	
10	4013010296	Nut GB889.1-M10flznc-8	2	
11	25210002901	Spring	1	
12	25210002891	Spring seat	1	
13	4011010732	Bolt GB5782-M10*50flZnyc-8.8-480	1	
14	4019010177	Rivet GB12619-6*18	4	
15	25210012251	Slider	2	
16	25210011191	Adjusting gasket 20*0.5	2	
17	25210011181	Adjusting gasket 20*1	2	
18	25210011171	Adjusting gasket 20*2	2	
19	4015010289	Washer GB96.1-8flZnyc-300HV-480	2	
20	4011010711	Bolt GB5783-M8*20flznc-8.8-480	2	
21	4015010279	No longer used	2	

F2100-2521003805.S1B-G1

Guardrail assy

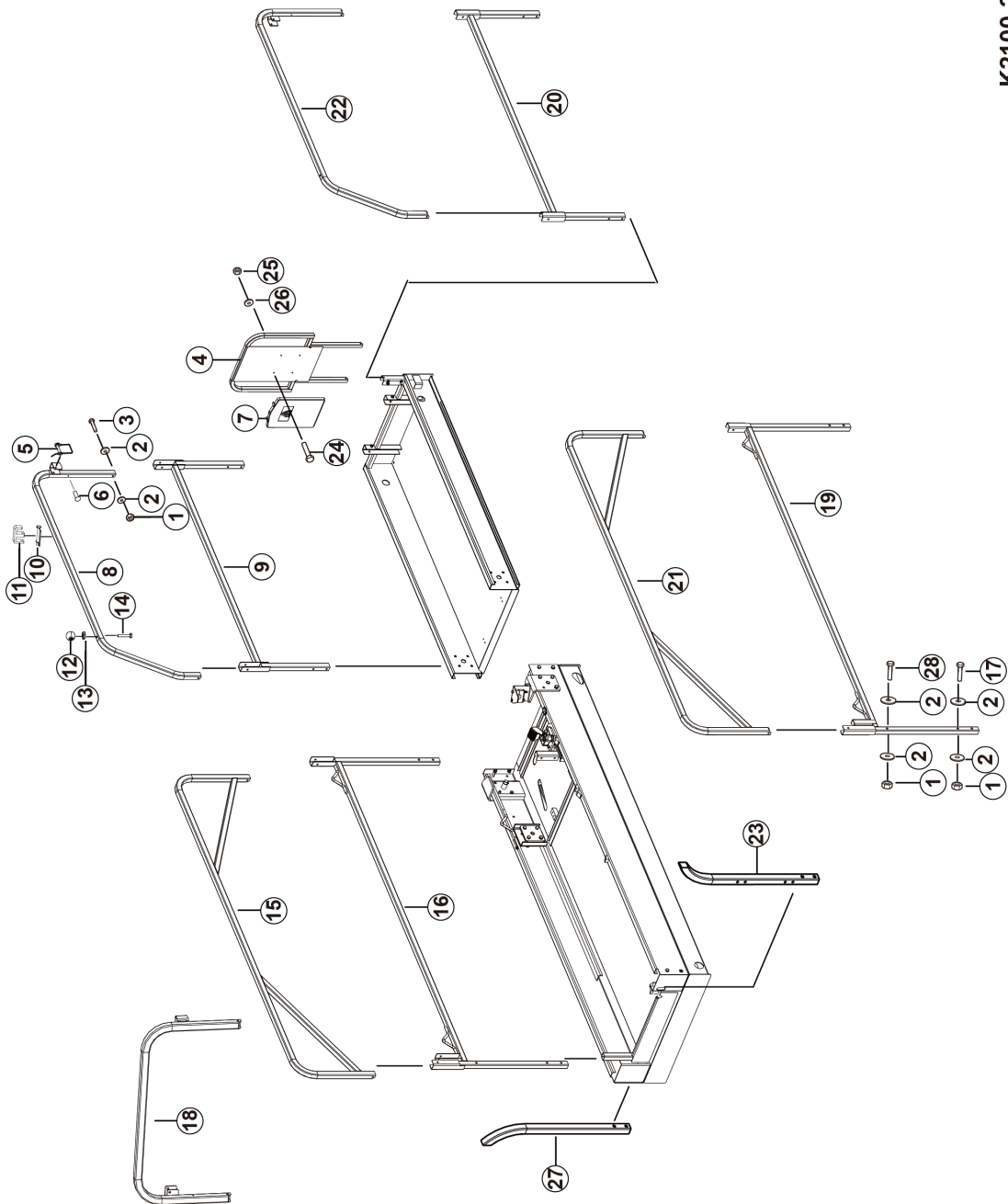
K2100-2521003805.S1B



Item	Part No.	Name	Qty.	Remark
1	4013000210	Nut GB889.1-M8EpZn-8	30	
2	4015000072	Washer GB97.1-8EpZn-300HV	64	
3	4011000300	Bolt GB16674.1-M8*55EpZn-8.8	18	
4	25210035202	FR guardrail	1	
5	4190703890	D-pin 8*65 ( With 200mm chain & steel plate )	4	
6	4019010209	Rivet GB12619-5*9	4	
7	25210000821	File box	1	
8	25210035073	LH guardrail	1	
9	25210035104	LH guardrail wldmt	1	
10	4190002586	Pin-square pin with ear 9.5*70	2	
11	25210013702	M-fixing seat	2	
12	4190001587	Ball handle 462102	2	
13	4013000090	Nut GB6172.1-M10EpZn-05	2	
14	4011000489	Bolt GB5783-M10*50EpZn-8.8	2	
15	25210035022	LH guardrail	1	
16	25210041294	Main platform ( LH ) column wldmt	1	
17	4011000223	Bolt GB5782-M8*50EpZn-8.8	12	
18	25210035222	Door bar	1	
19	25210041304	Main platform ( RH ) column wldmt	1	
20	25210035153	RH guardrail wldmt	1	
21	25210035032	RH guardrail	1	
22	25210035123	RH guardrail	1	

F2100-2521003805.S1B-G1

Guardrail assy



K2100-2521003805.S1B



## Platform Components

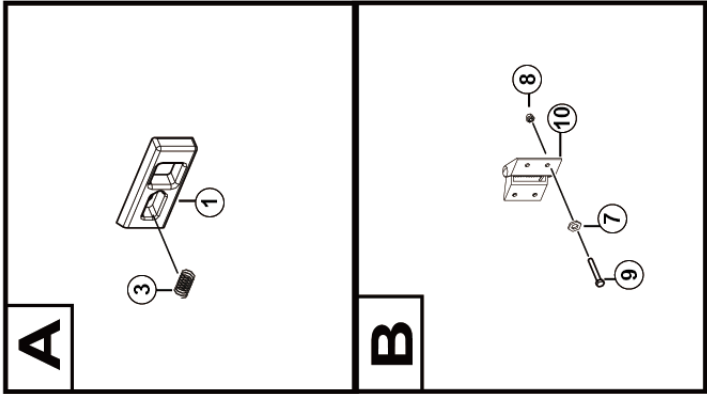
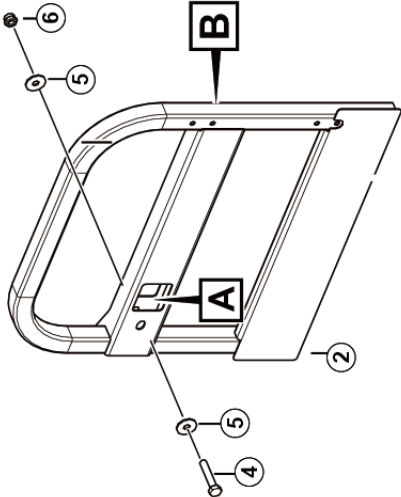
Item	Part No.	Name	Qty.	Remark
23	25210039163	RH door railing wldmt	1	
24	4011000154	Bolt GB16674.1-M6*20EpZn-8.8	4	
25	4013000211	Nut GB889.1-M6EpZn-8	4	
26	4015000207	Washer GB97.1-6EpZn-300HV	4	
27	25210039143	LH door bar wldmt	1	
28	4011000298	Bolt GB5782-M8*45EpZn-8.8	4	



F2100-2521003807.S-G1

Half-height swing gate assy

K2100-2521003807.S





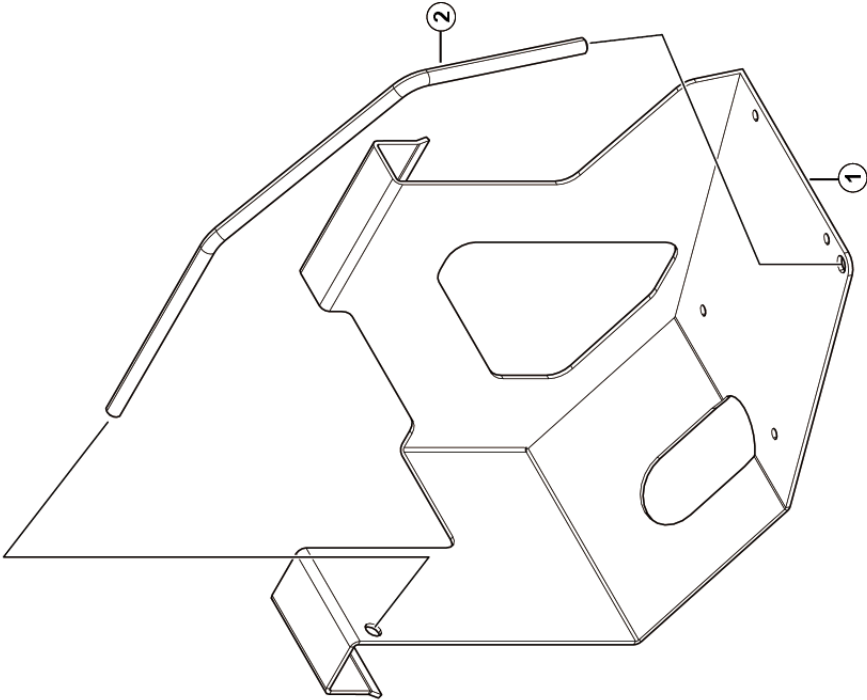
## Platform Components

Item	Part No.	Name	Qty.	Remark
1	25210011051	Plastic block	1	
2	25210020781	Revolving door	1	
3	25210002071	Spring	1	
4	4011000049	Bolt GB5782-M10*55EpZn-8.8	1	
5	4015000197	Washer GB96.1-10EpZn-300HV	2	
6	4013000189	Nut GB889.1-M10EpZn-8	1	
7	4015000207	Washer GB97.1-6EpZn-300HV	8	
8	4013000211	Nut GB889.1-M6EpZn-8	8	
9	4011000611	Bolt GB5782-M6*45EpZn-8.8	8	
10	4190001525	Spring hinge X022	2	

F2106-2521002962.S-G1

Bracket assy

K2106-2521002962.S





## Platform Components

---

Item	Part No.	Name	Qty.	Remark
1		Bracket plate		For illustration
2	25300001621	Handle	1	

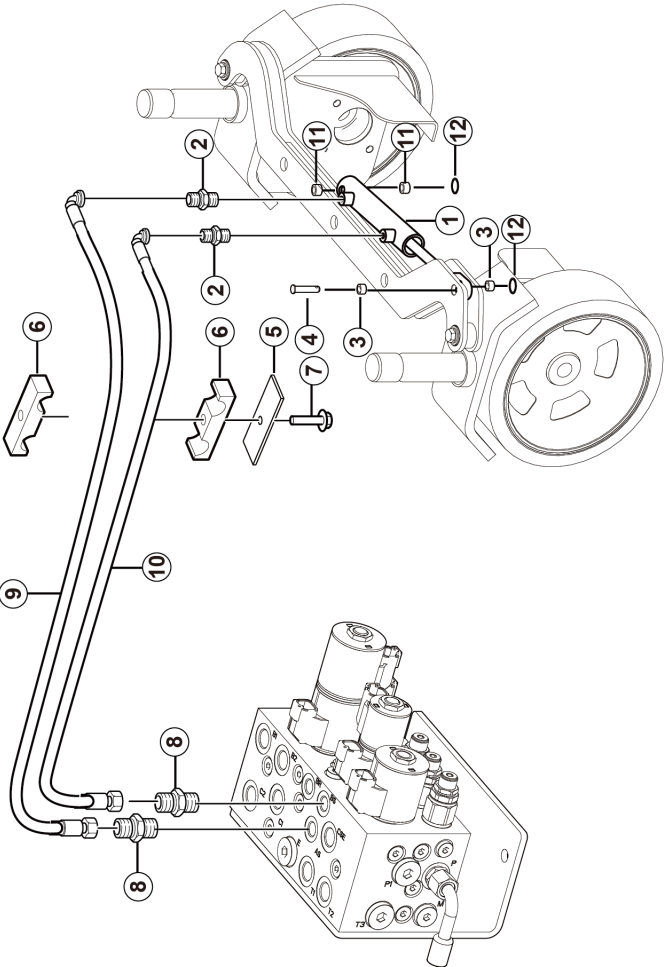


**H**

**Hydraulic Hose Routing and  
Fittings**

H2302-2507000388.S1A-G1

Steering hyd assy



L2302-2507000388.S

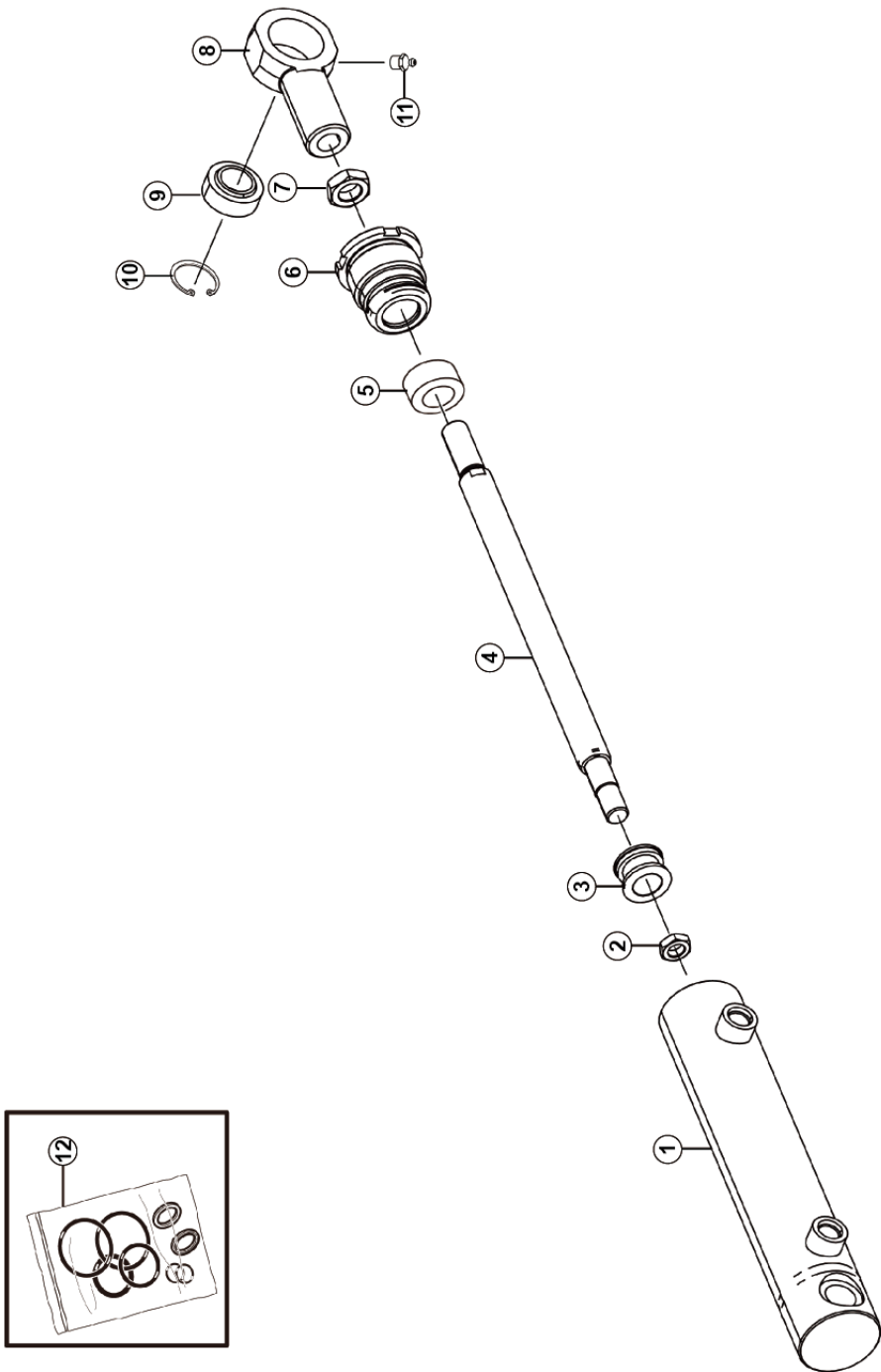


## Hydraulic Hose Routing and Fittings

Item	Part No.	Name	Qty.	Remark
1	4120703457	Steering hyd cyl 40*20*152.4-400	1	
2	4120001340	Joint 1CO-14-04	2	
3	25070002524	Shaft sleeve	2	
4	25070002542	Steering hyd cylinder pin	1	
5	25080000151	Plate	1	
6	25060000391	Clamp 4	2	
7	4011011017	Bolt GB16674.1-M8*30fZnyc-8.8-480	1	
8	4120001368	Straight joint 1CB-14-04WD	2	
9	4120703234	No longer used	1	
10	4120703235	No longer used	1	
11	25070002531	Shaft sleeve 1	2	
12	4015010295	Snap ring GB894.1-19fZnyc-65Mn-480	2	

H2300-4120703457-G1

Steering hyd cyl assy 40\*20\*152.4 ( 10570 )



L2300-4120703457

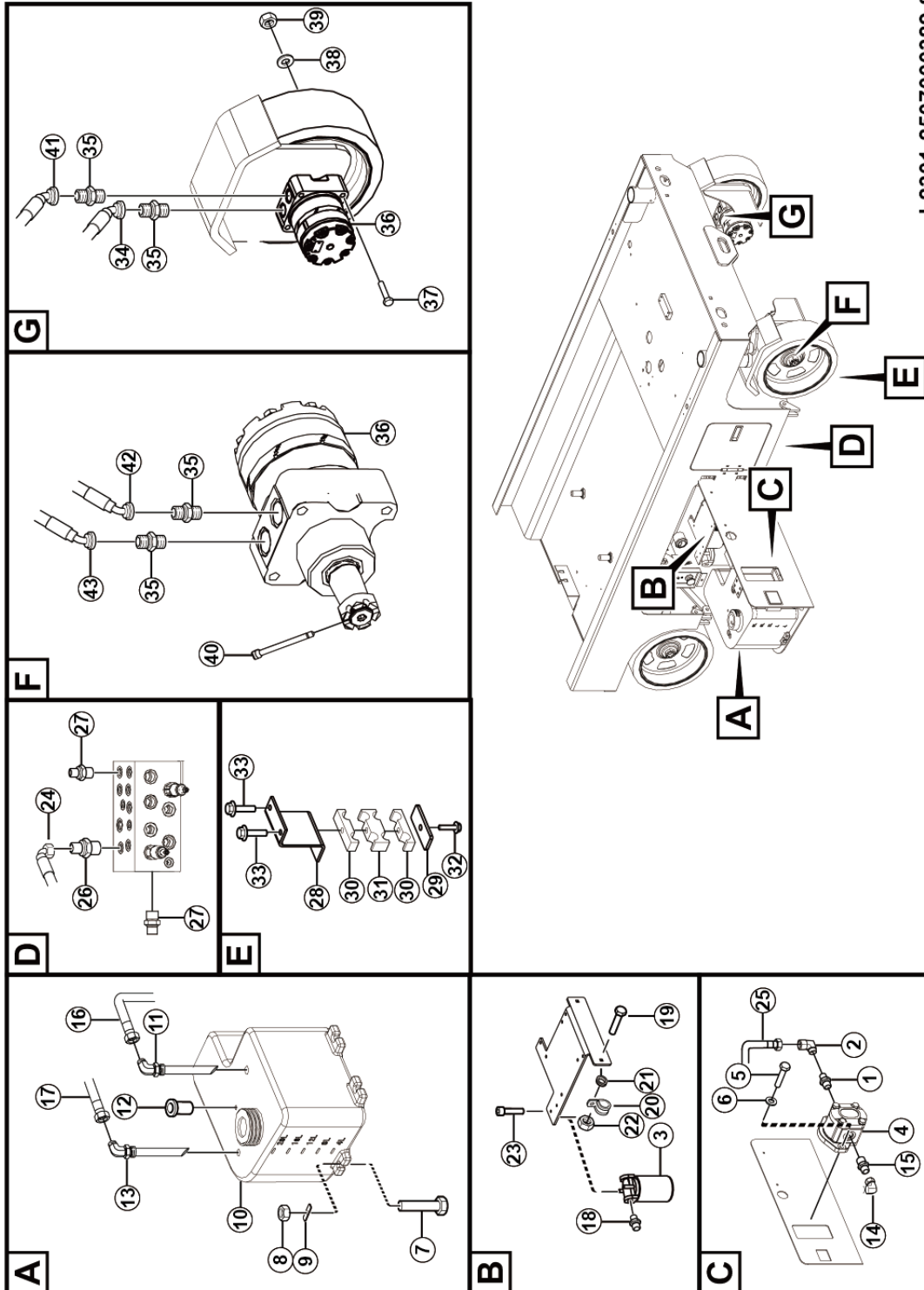


## Hydraulic Hose Routing and Fittings

Item	Part No.	Name	Qty.	Remark
1	4120703457002	Cyl barrel 40*20*152.4	1	
2	4120703457003	Nut 40*20*152.4 ( Nylon )	1	
3	4120703457004	Piston 40*20*152.4	1	
4	4120703457005	Piston rod 40*20*152.4	1	
5	4120703457006	Bushing 40*20*152.4	1	
6	4120703457007	Cyl cover 40*20*152.4	1	
7	4120703457008	Nut 40*20*152.4	1	
8	4120703457009	Piston rod head 40*20*152.4	1	
9	4120703457010	Joint bearing 40*20*152.4	1	
10	4120703457011	Snap ring 40*20*152.4	1	
11	4120703457012	Grease cup 40*20*152.4	1	
12	4120703457001	Seal kit 24A300540S	1	

H2301-2507000389.S1B1-G1

Traveling motor assy



L2301-2507000389.S1B1

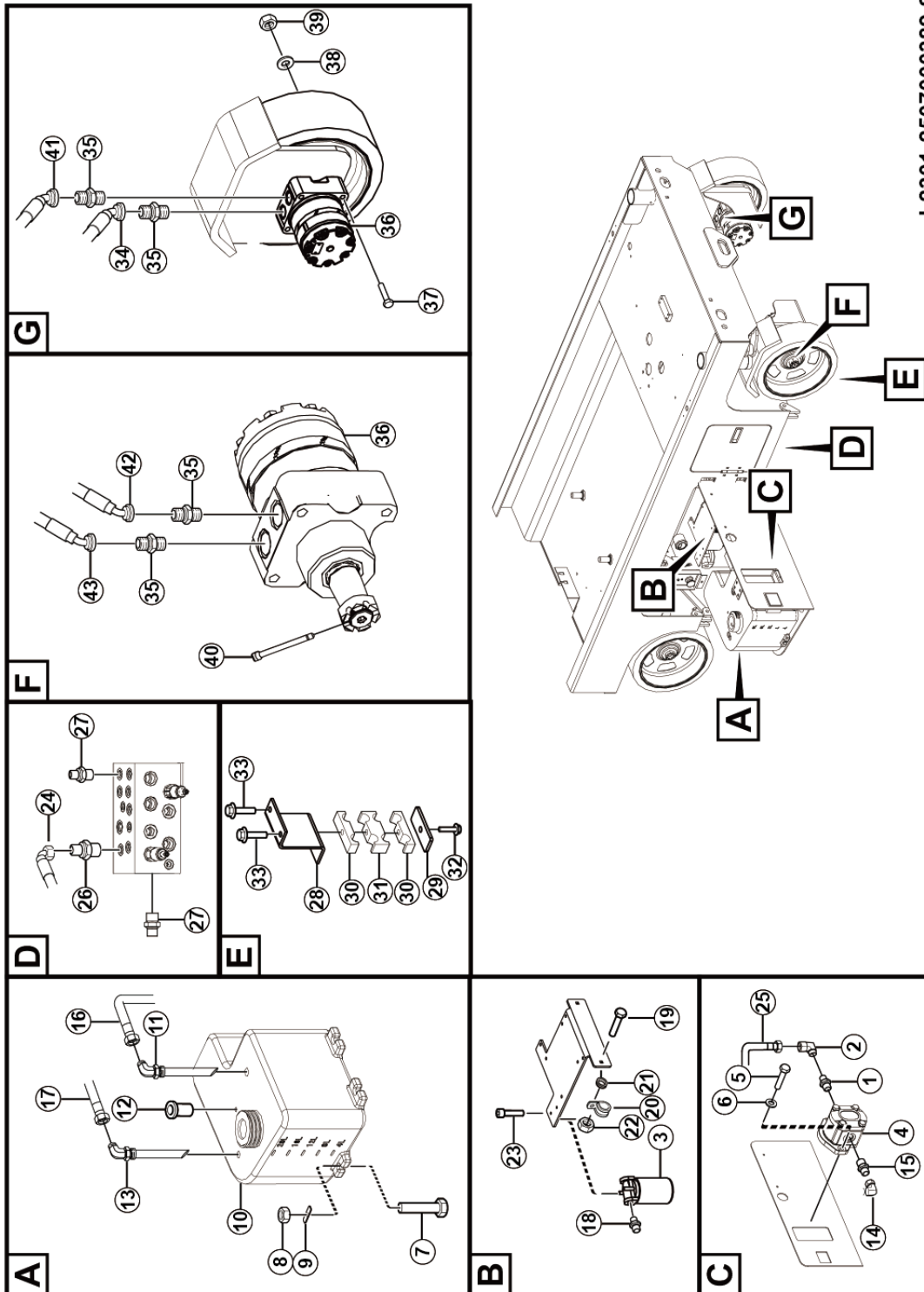


## Hydraulic Hose Routing and Fittings

Item	Part No.	Name	Qty.	Remark
1	4120001500	Joint 1CB-18-08WD	1	
2	4190000996	Combination joint 2C9-18	1	
3	4120001128	Oil return filter SP-06*10 G3/4	1	
4	4120002535	Gear pump A011122670	1	
5	4011011073	Bolt 3/8-24UNF-2B*31flZnyc-10.9-480	2	
6	4015010339	Washer GB97.1-10flZnyc-300HV-480	2	
7	4011011046	Bolt GB5783-M10*45flZnyc-8.8-480	3	
8	4013010296	Nut GB889.1-M10flznyc-8	3	
9	25070000251	Oil tank fixing plate	3	
10	4120001349	Fuel tank	1	
11	4120707645	Oil suction pipe assy	1	
12	4120001375	Breather KKL-6X1CL	1	
13	25070000111	Oil return pipe assy	1	
14	4120000866	90°joint 2C9-22Z	1	
15	4120001497	Joint 1CB-22-08WD	1	
16	4120703226	No longer used	1	
17	4120703227	No longer used	1	
18	25070000091	Straight joint	2	
19	4011010964	Bolt GB16674.1-M8*16flZnyc-8.8-480	2	
20	4041001132	Pipe clamp LGB167-0116	2	
21	4041001252	Cushion sleeve LGB123-0116	2	
22	4013010291	Nut GB6170-M8flznyc-8-480	2	

H2301-2507000389.S1B1-G1

Traveling motor assy



L2301-2507000389.S1B1

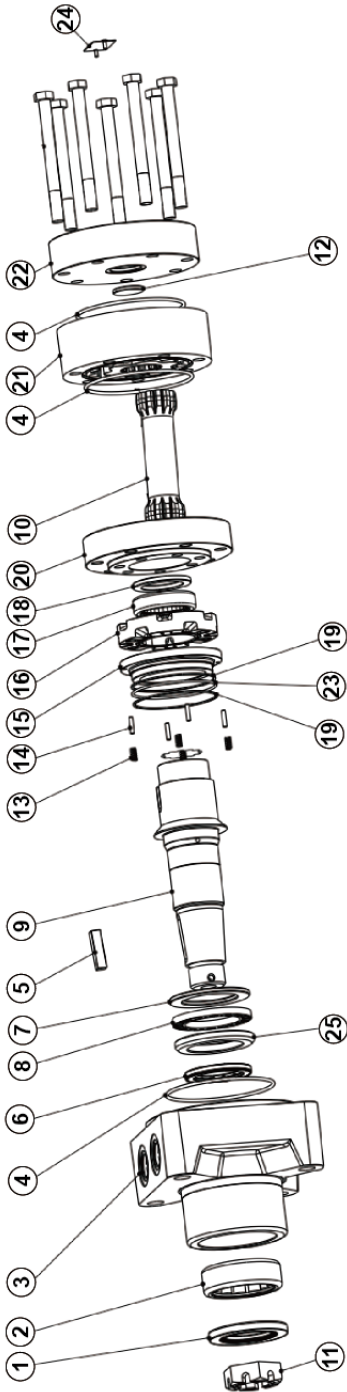


## Hydraulic Hose Routing and Fittings

Item	Part No.	Name	Qty.	Remark
23	4011010735	Bolt GB16674.1-M6*16flZnyc-8.8-480	2	
24	4120703228	No longer used	1	
25	4120703229	No longer used	1	
26	4120703695	Check valve SY-RV-L12-G3/8-4	1	
27	4120001799	Straight joint 1CB-16-06WD	5	
28	25070000601	Fixing bracket assy	1	
29	25080000151	Plate	1	
30	25080000143	Clamp 2	2	
31	25080000132	Clamp 3	1	
32	4011011077	Bolt GB16674.1-M8*70flZnyc-8.8-480	1	
33	4011010966	Bolt GB16674.1-M8*20flZnyc-8.8-480	2	
34	4120703230	No longer used	1	
35	4120001339	Joint 1CO-18-06	4	
36	4120001345	Traveling motor 530375T3531AAAAA	2	
37	4011011083	Bolt GB5782-M12*85flZnyc-10.9-480	8	
38	4015010340	Washer GB97.1-12flZnyc-300HV-480	8	
39	4013010368	Nut GB889.1-M12flznyc-10-480	8	
40	4016010143	Pin GB91-4*70flZnyc-Q235A-480	2	
41	4120703231	No longer used	1	
42	4120703232	No longer used	1	
43	4120703233	No longer used	1	

H2300-4120001345

Traveling motor assy 530375T3531AAAA



L2300-4120001345



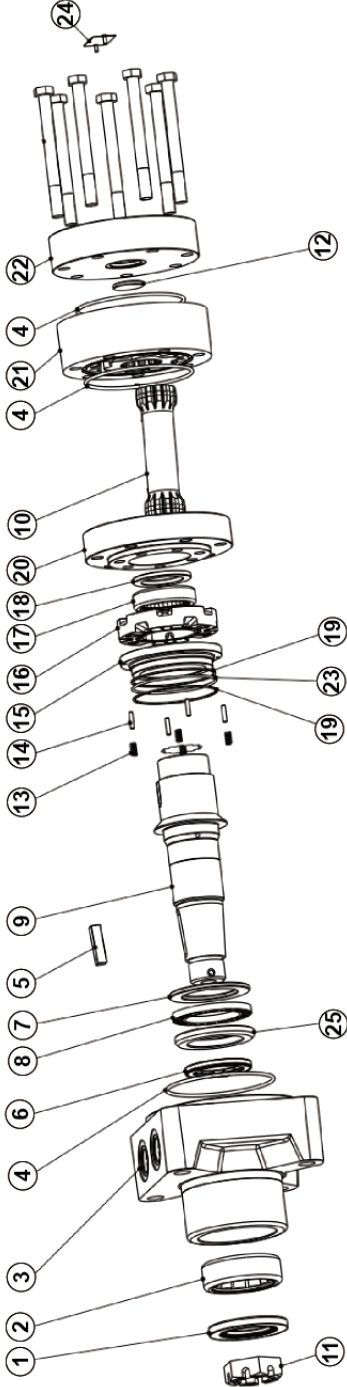
## Hydraulic Hose Routing and Fittings

Item	Part No.	Name	Qty.	Remark
1		Bearing seal 5987016-001		For illustration
2		Bearing 5986832-001		For illustration
3		Housing 6043801-001		For illustration
4		Seal ring 5986912-001		For illustration
5		Key 14392-008		For illustration
6		High pressure seal 5993120-001		For illustration
7		Bearing snap ring 4999849-001		For illustration
8		Thrust bearing Z181-12		For illustration
9		Output shaft 6043805-006		For illustration
10		Linkage shaft 6043806-014		For illustration
11		Nut E307		For illustration
12		Gasket 6044293-001		For illustration
13		Helical spring 7383-000		For illustration
14		Pin 6043890-001		For illustration
15		Balance plate 6043803-001		For illustration
16		Valve 4999904-001		For illustration
17		Bearing 5990407-001		For illustration
18		Gasket 6044293-002		For illustration
19		Snap ring 5990003-001		For illustration
20		Valve plate 6043808-002		For illustration
21		Stator and rotor pair 6045455-014		For illustration
22		Rear cover 6043804-003		For illustration

H2300-4120001345

Traveling motor assy 530375T3531AAAA

L2300-4120001345





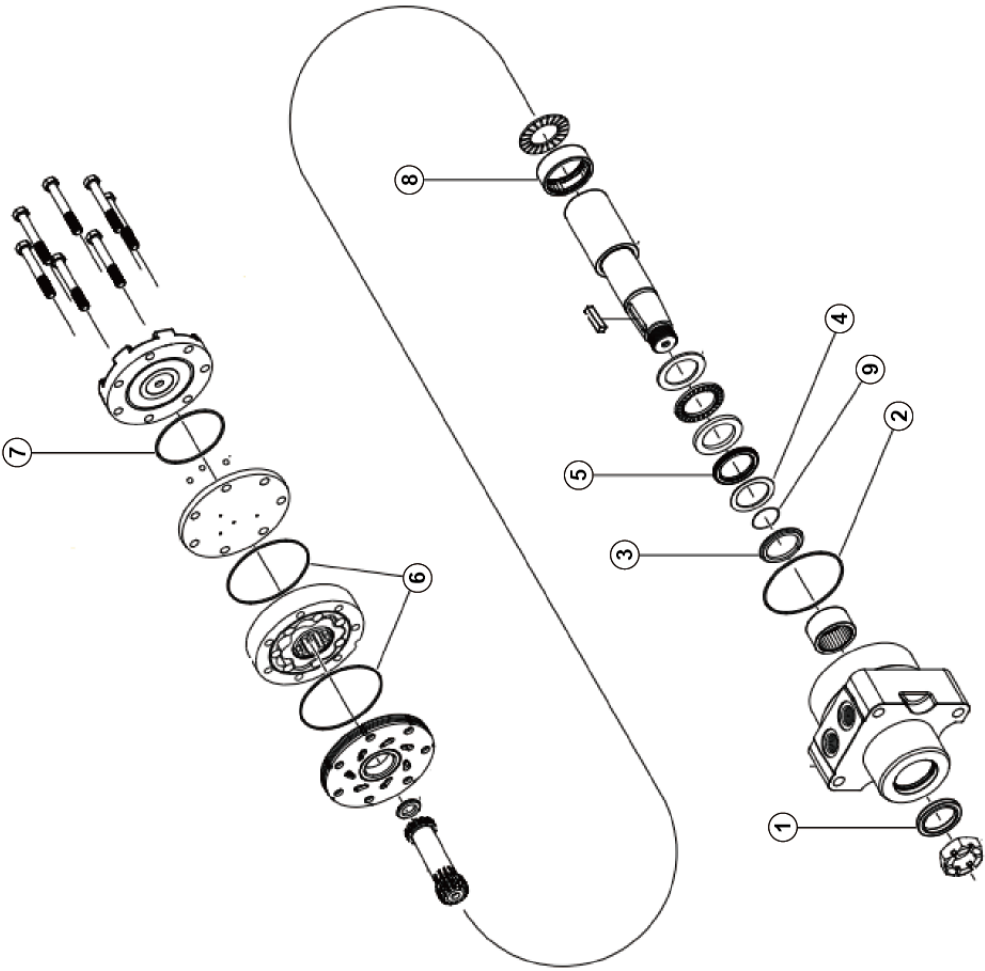
## Hydraulic Hose Routing and Fittings

---

Item	Part No.	Name	Qty.	Remark
23		O-ring 250016-037		For illustration
24		Part nameplate P075		For illustration
25		Bearing snap ring 4999849-003		For illustration

H2300-4120001345001

Danfoss motor seal kit 500444004



L2300-4120001345001



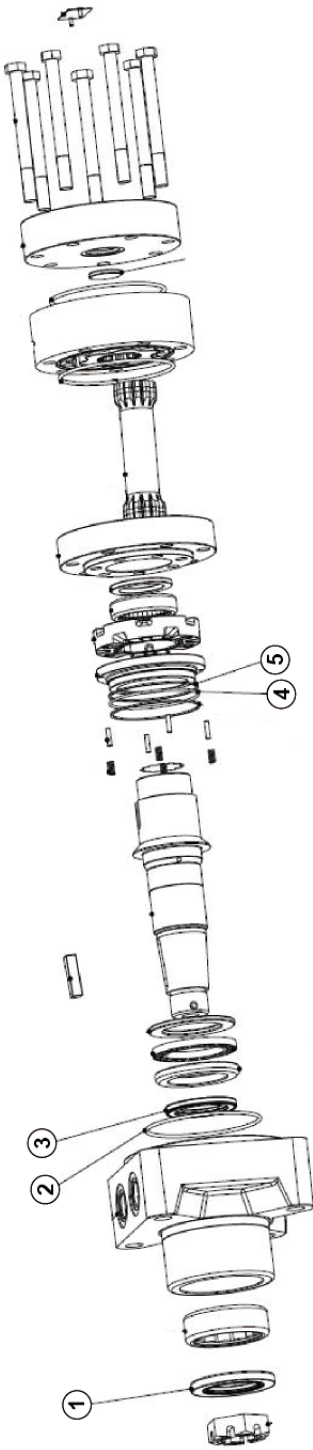
## Hydraulic Hose Routing and Fittings

---

Item	Part No.	Name	Qty.	Remark
1		Dust seal ring		For illustration
2		housing sealing ring		For illustration
3		Snap ring		For illustration
4		Seal ring		For illustration
5		Shaft seal		For illustration
6		Seal ring		For illustration
7		Back cover seal		For illustration
8		Bearing		For illustration
9		Gasket		For illustration

H2300-4120704629004

Seal kit Z331-66 ( Eaton )

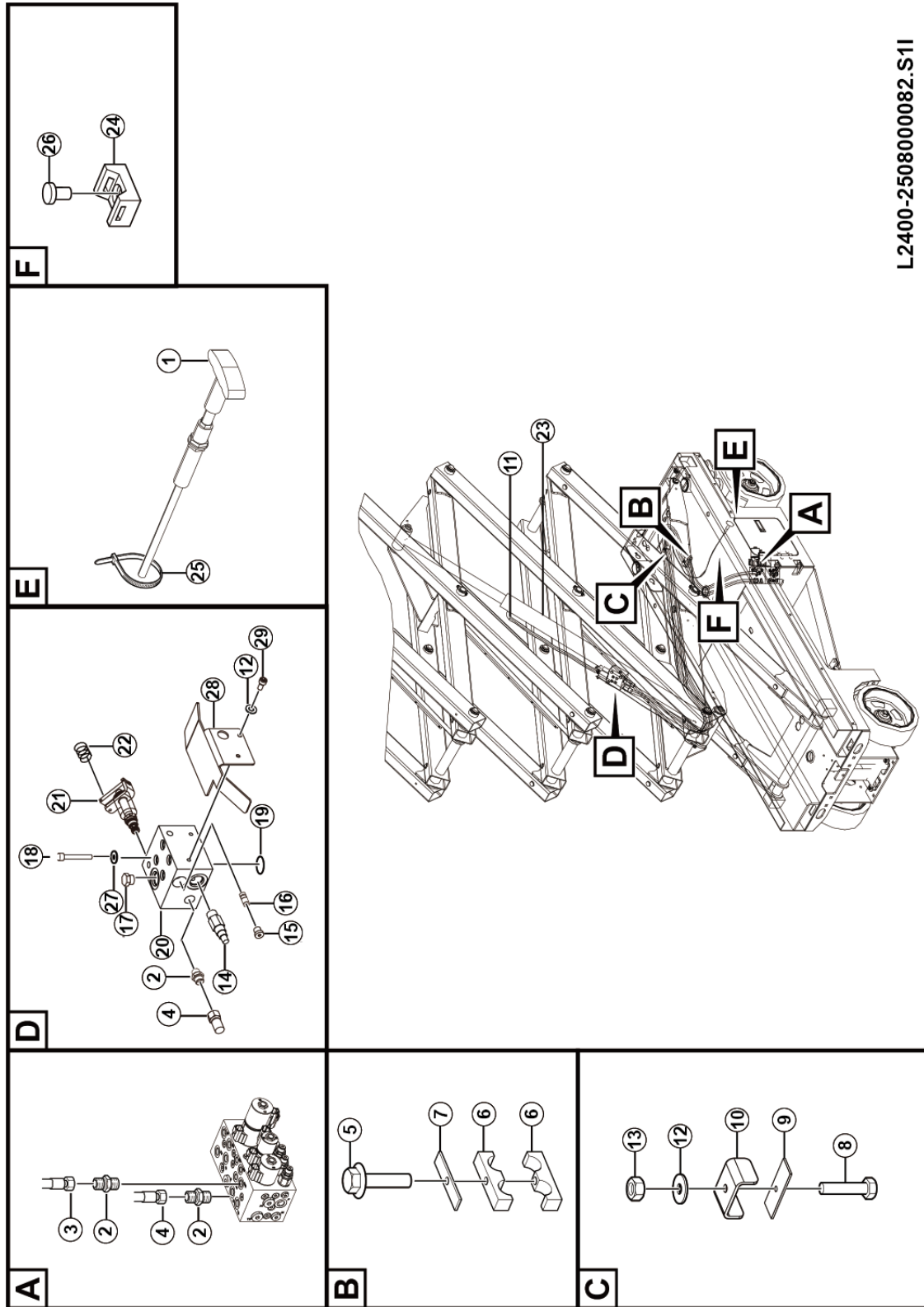


L2300-4120704629004

Item	Part No.	Name	Qty.	Remark
1		Bearing seal 5987016-001		For illustration
2		Seal ring 5986912-001		For illustration
3		High pressure seal 5993120-001		For illustration
4		O-ring 250016-037		For illustration
5		Snap ring 5990003-001		For illustration

H2400-2508000082.S1I-G1

Lift hyd assy

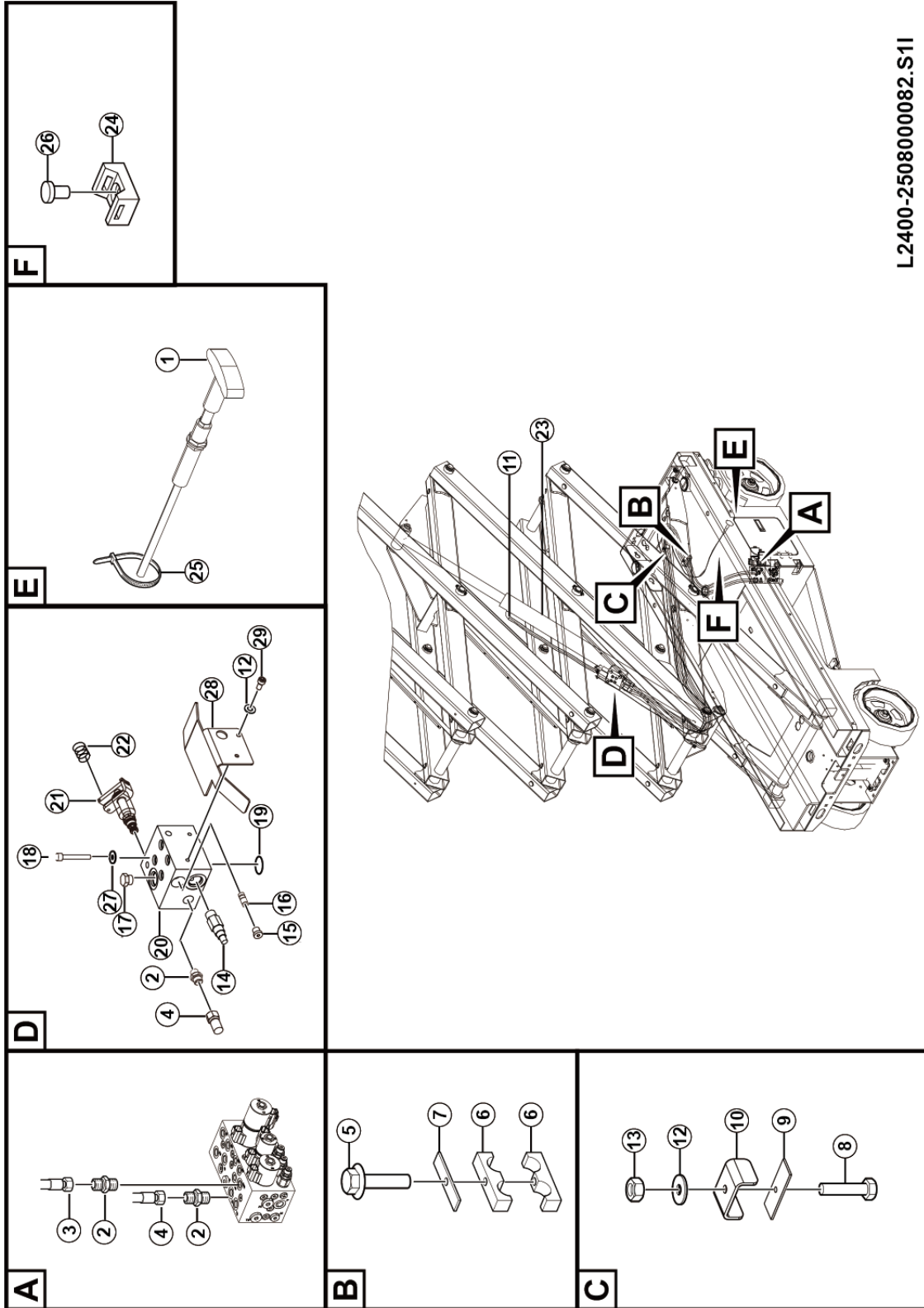


L2400-2508000082.S1I

Item	Part No.	Name	Qty.	Remark
1	25080001572	Stay wire assy	1	
2	4120001499	Joint 1CB-18-06WD	3	
3	4120703236	No longer used	1	
4	4120703237	No longer used	1	
5	4011000277	Bolt GB16674.1-M8*40EpZn-8.8	1	
6	25080000143	Clamp 2	2	
7	25080000151	Plate	1	
8	4011000440	Bolt GB5783-M6*40EpZn-8.8	1	
9	25080000121	Rubber pad	1	
10	25080000282	Buckle plate	1	
11	4017000010	Hose clamp JB8870-D20	1	
12	4015000207	Washer GB97.1-6EpZn-300HV	3	
13	4013000163	Nut GB6170-M6EpZn	1	
14	4120001156	Safety valve RV08-20A-0-N-33/M187	1	
15	4120002398	Plug 4MN-14WD	1	
16	4120001724	One-way throttle valve 1.4	1	
17	4120001130	Check valve CV08-20-0-N-10	1	
18	4014010232	Bolt GB5782-M8*70fIZnyc-12.9-480	4	
19	4120002399	O-ring 10.77*2.62	1	
20	25080002232	Hyd cylinder valve block	1	
21	4120002350	Directional control valve	1	
22	25080001331	Spring 1.5*15*30	1	

H2400-2508000082.S1I-G1

Lift hyd assy

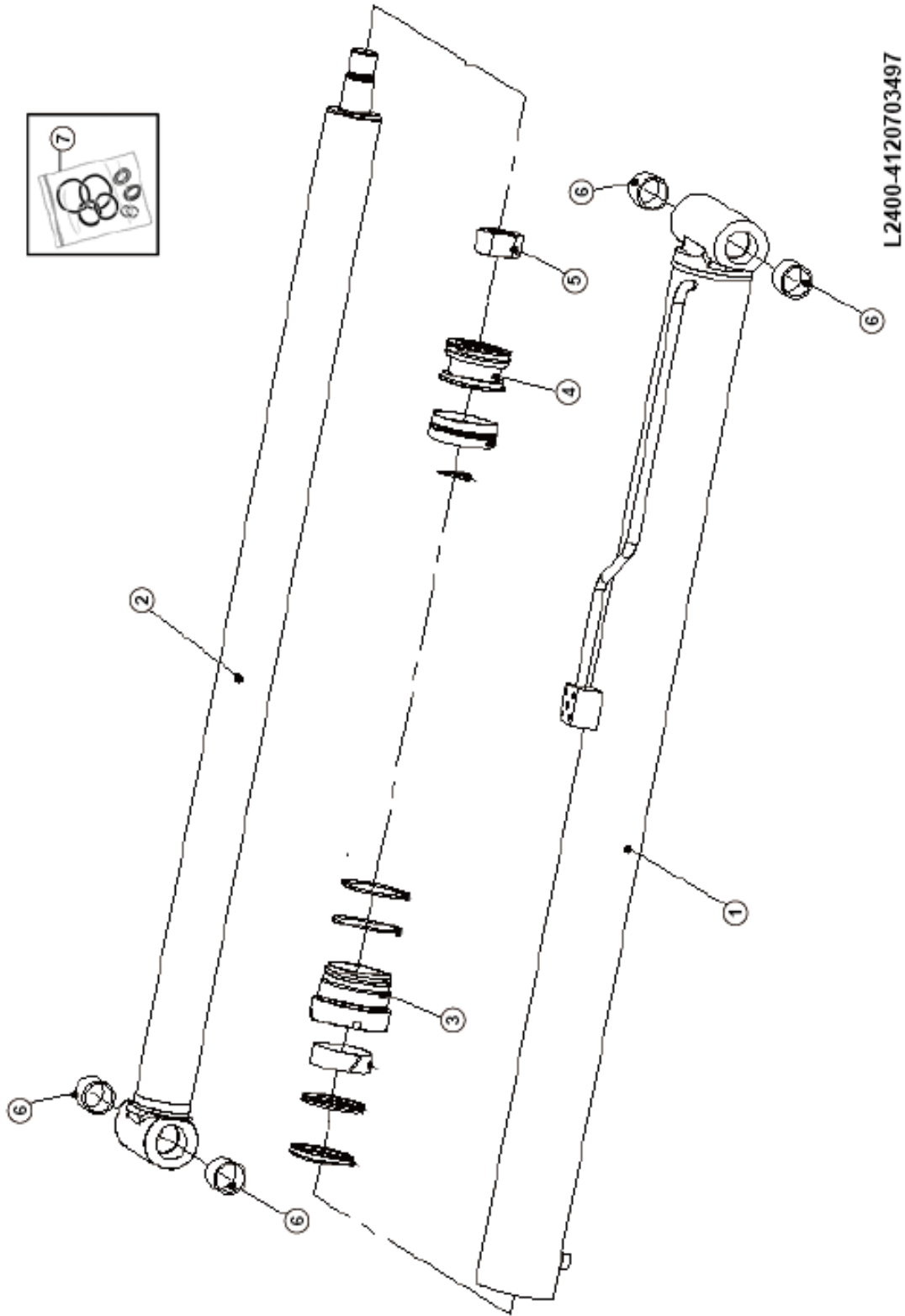


L2400-2508000082.S1I

Item	Part No.	Name	Qty.	Remark
23	4120703497	Lift hyd cyl 75*63*1273-1524	1	
24	4090100054	No longer used	1	
25		Tie LG13-ZS3*150		For illustration
26	4090100053	No longer used	1	
27	25080002881	Hard gasket M8	4	
28	25080003681	Valve block backplate assy	1	
29	4014000120	Screw GB70.1-M6*12EpZn-8.8	2	

H2400-4120703497-G1

Lift hyd cylinder assy 75\*63\*1273-1524  
( 10570 )







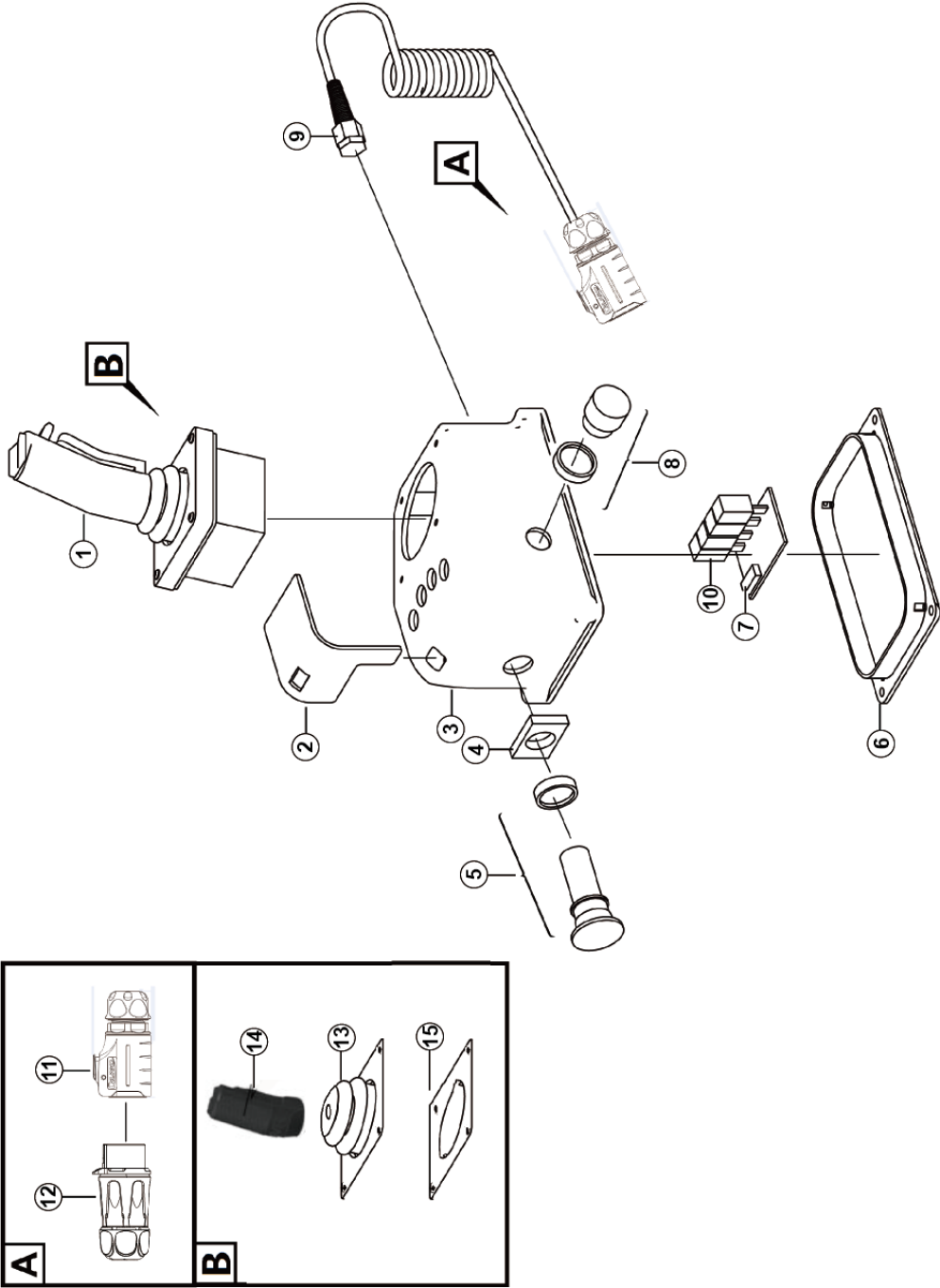
**J**

**Accessories**

J2900-4130001286-G2

PCU assy

M2900-4130001286

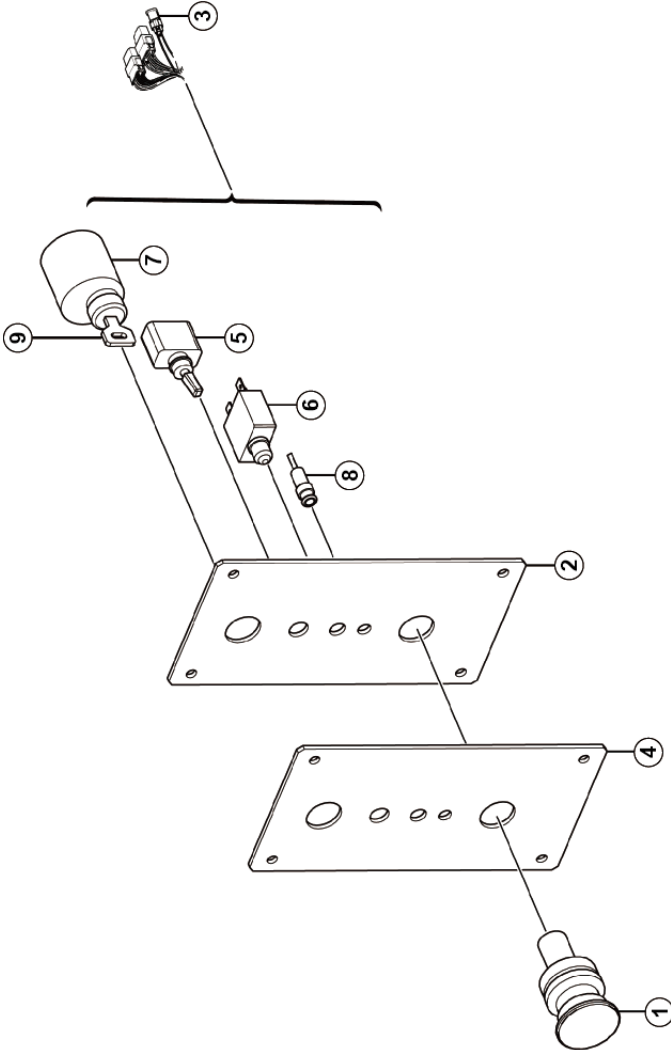


Item	Part No.	Name	Qty.	Remark
1	4130000862002	Platform controller joystick assy BG10201	1	
2	4130000862001	Decal-Platform controller 100081	1	
3	4130000862003	Box body 100082	1	
4	4130000862004	Emergency stop switch base assy 100060	1	
5	4130000862005	Emergency stop switch cap assy 100059	1	
6	4130000862006	Box cover 100083	1	
7	4130001046007	PCBA 60020123	1	
8	4130001046008	Buzzer 100057	1	
9	4130001046009	Spiral harness 200011	1	
10	4130000862010	Key switch cap assy 100079	1	
11	25300003281	Linke plug ( Upr controller side )	1	
12	25300003271	Linke plug ( PCU harness end )	1	
13	4190703764350	Joystick sheath JJ63	1	
14	4130001046012	Handle silicone sheath assy 101329	1	
15	4130702006009	Decal-Joystick direction 20020232 ( V7-PCU )	1	

J3101-4130001288-G1

Ground control panel assy

M3101-4130001288





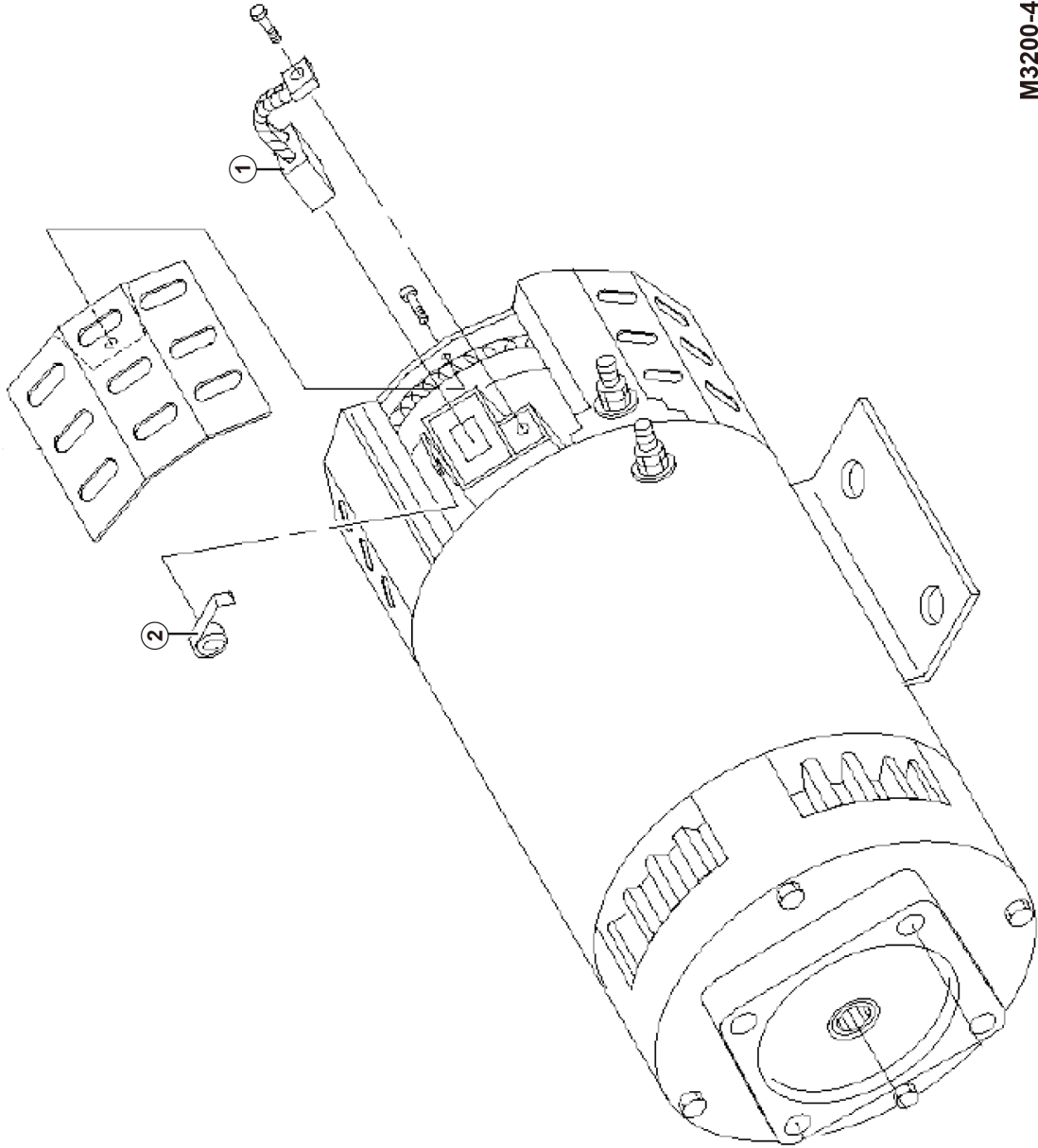
## Accessories

Item	Part No.	Name	Qty.	Remark
1	4130001280	Emergency stop switch XA2ET42	1	
2	4130000889	Panel	1	
3	4130000795	GCU panel harness	1	
4	4130000941	Decal	1	
5	4130000720	Toggle switch L7A-SP4-P1-5-B0-M3-P	1	
6	4130000721	Resettable fuse 7A	1	
7	4130000723	Key switch	1	
8	4130000773	Overload indicator	1	

J3200-413000710-G2

Motor assy GE5.5 ( 24V )

M3200-413000710





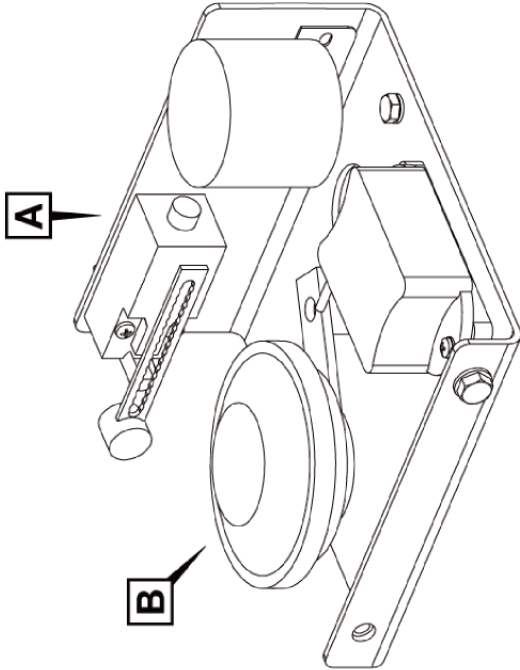
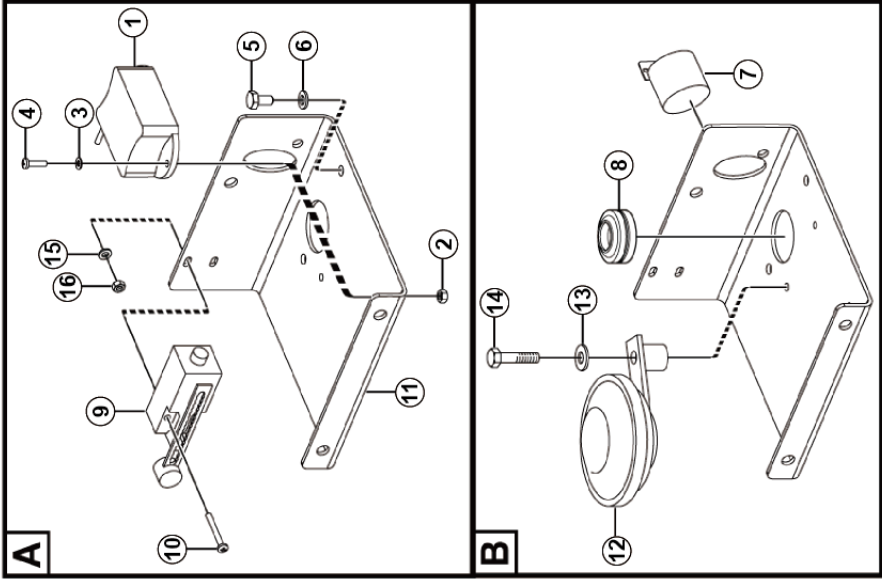
## Accessories

Item	Part No.	Name	Qty.	Remark
1	4130000710001	Electric brush assy 10035417 ( 5.5 24V )	1	
2	4130000710002	No longer used-	1	

J3102-2532000039.B1C-G2

Bracket assy

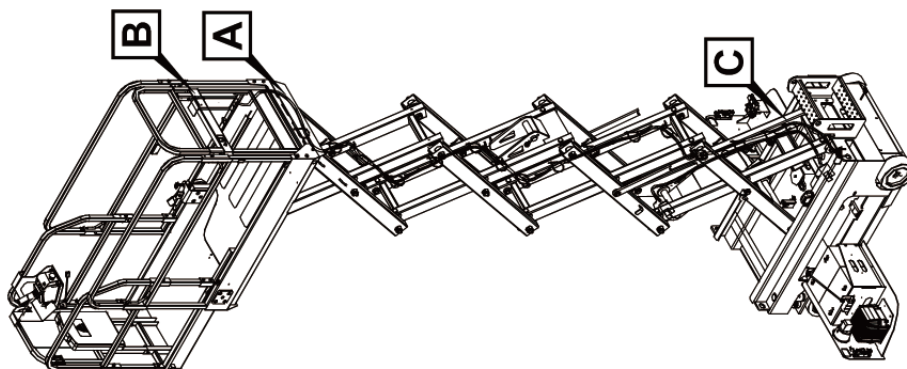
M3102-2532000039.B1C



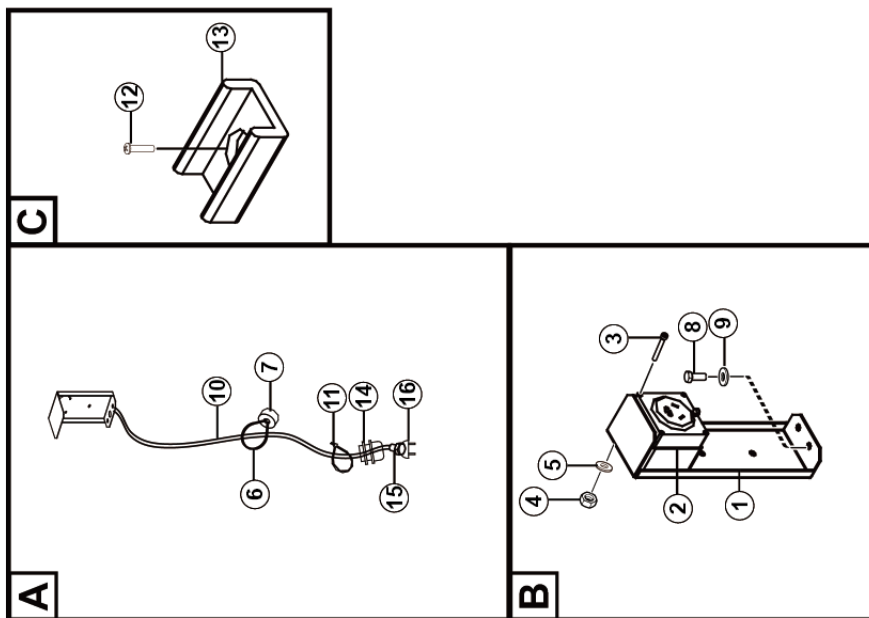
Item	Part No.	Name	Qty.	Remark
1	4130000808	Tilt switch SYST-1.5-3	1	
2	4013000025	Nut GB6170-M4EpZn-8	2	
3	4015000135	Washer GB97.1-4EpZn-300HV	4	
4	4014000021	Screw GB818-M4*12EpZn-4.8	2	
5	4011000276	Bolt GB5783-M6*25EpZn-8.8	3	
6	4015000207	Washer GB97.1-6EpZn-300HV	3	
7	4130000797	Buzzer CY-3631-24V	1	
8	28179900031	Rubber Gromet,40*5	1	
9	4130000796	Travel switch CLS-121	1	
10	4014010052	Screw GB70.1-M5*40EpZn-8.8	2	
11	25320000321	Bracket wldmt	1	
12	4130001193	Basin-shaped mono speaker DL125-100LW-04	1	
13	4015000315	Washer GB97.1-8-300HV	1	
14	4011000180	Bolt GB5783-M8*12EpZn-8.8	1	
15	4015000110	Washer GB97.1-5EpZn-300HV	2	
16	4013000212	Nut GB889.1-M5EpZn-8	2	

J3300-2533000565-G1

Power to platform assy



M3300-2533000565



Item	Part No.	Name	Qty.	Remark
1	25330001411	Socket bracket AC	1	
2	4130001187	Receptacle 56SO-OB ( CE )	1	
3	4011000680	Bolt GB16674.1-M6*30fIZnyc-8.8-480	4	
4	4013000211	Nut GB889.1-M6EpZn-8	4	
5	4015000207	Washer GB97.1-6EpZn-300HV	4	
6	4190000145	Cable tie 8*430	2	
7	4120000226	Spacer ring	2	
8	4014000140	Screw GB70.1-M8*12fIZnyc-8.8-480	2	
9	4015000072	Washer GB97.1-8EpZn-300HV	2	
10	25330000531	Platform power cable	1	
11		Tie LG13-ZS3*150		For illustration
12	4090100053	No longer used	7	
13	4090100054	No longer used	7	
14	4019010208	No longer used	2	
15	4130701458	KST E2508 BLUE	6	
16	4130001050	Plug 16A ( CE )	1	



# **Part number index**

# Part number index



Part No.	Page Number	Part No.	Page Number	Part No.	Page Number
25060000042	25	25170000182	33	25200001291	57
25060000051	25	25170001733	33	25200001302	55
25060000291	25	25170002182	33	25200001531	55
25060000391	81	25170002192	33	25200001541	55
25070000091	85	25180000033	15	25200001672	53
25070000111	85	25180000181	13	25200001863	59
25070000251	85	25180000191	13	25200001891	57
25070000601	87	25180000201	13	25200002751	55
25070002524	81	25180000212	15	25200002761	55
25070002531	81	25180000663	17	25200003041	53
25070002542	81	25180000703	15	25200007141	53
25080000041	43	25180003392	15	25200009921	55
25080000121	97	25180004001	15	25200009931	55
25080000132	87	25180004011	15	25200022683	53
25080000143	87、97	25190000021	19	25200023041	53
25080000151	81、87、97	25190000031	19	25200023753	55
25080000282	97	25190000101	19	25200023782	53
25080001331	97	25190000171	19	25200023803	53
25080001572	97	25190000181	19	25200023843	53
25080002232	97	25190000192	19	25200023863	53
25080002881	99	25190000201	19	25210000821	71
25080003681	99	25190000212	19	25210002071	75
25160000401	5	25190000221	19	25210002891	69
25160000411	5	25190000231	19	25210002901	69
25160000481	5	25190000242	19	25210002911	69
25160000502	5	25190000251	19	25210011051	75
25160000561	11	25190000291	23	25210011171	65、69
25160000572	5	25190000301	23	25210011181	65、69
25160000611	5	25190000351	23	25210011191	65、69
25160000621	5	25190000441	21	25210012192	69
25160001342	5	25190000571	19	25210012251	69
25160001353	9	25190003181	23	25210013702	71
25160001982	27	25200000141	19	25210020781	75
25160001992	49	25200000402	7、53	25210021043	65
25160004253	5	25200000442	55	25210029621	63
25160009006	5	25200000491	55	25210030191	65
25160020881	7	25200000631	55	25210030211	69
25160020901	11	25200000641	53	25210035022	71
25170000151	33	25200000861	55	25210035032	71

Part No.	Page Number	Part No.	Page Number	Part No.	Page Number
25210035073	71	25320002442	43	4011010706	53
25210035104	71	25320002461	39	4011010707	25、53
25210035123	71	25320003561	43	4011010711	69
25210035153	71	25320004542	41	4011010724	53
25210035202	71	25320014082	39	4011010725	19
25210035222	71	25320015671	45	4011010732	69
25210035921	67	25320015681	45	4011010735	87
25210036501	69	25330000531	113	4011010743	25
25210038038	65	25330001411	113	4011010964	25、85
25210038593	69	28179900031	111	4011010966	87
25210039143	73	28219900091	5	4011011010	35、53
25210039163	73	4011000049	65、69、75	4011011017	81
25210041294	71	4011000082	49	4011011037	55
25210041304	71	4011000105	5	4011011046	85
25210042571	65	4011000106	5	4011011063	25
25280001871	49	4011000153	41	4011011065	25
25280001881	49	4011000154	41、73	4011011073	85
25290005874	35	4011000180	111	4011011077	87
25300000351	37	4011000223	71	4011011083	87
25300001621	77	4011000276	111	4011011192	11
25300001673	37	4011000277	97	4013000025	39、111
25300003271	105	4011000286	39	4013000028	15
25300003281	105	4011000298	15、17、73	4013000090	7、71
25300003472	37	4011000300	71	4013000163	97
25320000061	45	4011000440	97	4013000189	43、59、75
25320000171	43	4011000461	41	4013000210	9、15、17、39、71
25320000192	39	4011000474	43	4013000211	39、57、73、75...
25320000321	111	4011000489	71	4013000212	41、111
25320000341	41	4011000611	75	4013010291	19、27、85
25320000351	41	4011000680	113	4013010296	53、69、85
25320000362	41	4011010234	37	4013010297	11
25320000662	43	4011010275	33	4013010301	35、53
25320000672	43	4011010306	7	4013010368	25、87
25320000692	41	4011010372	43	4013010382	45
25320000712	39	4011010424	43	4013010395	19
25320000722	43	4011010427	59	4014000021	111
25320000831	39	4011010432	39	4014000022	39
25320001651	39	4011010440	9	4014000087	39
25320001851	41	4011010447	57	4014000120	99

## Part number index



Part No.	Page Number	Part No.	Page Number	Part No.	Page Number
4014000121	41	4016010143	25、 87	4120001127013	29
4014000140	113	4017000010	97	4120001127014	29
4014000170	41	4019000012	11	4120001128	85
4014000241	43	4019010177	69	4120001129	25
4014000244	43	4019010208	113	4120001130	97
4014000278	39	4019010209	71	4120001156	97
4014010003	41	4019010279	67	4120001159003	31
4014010052	41、 111	4021010017	67	4120001159005	31
4014010056	39	4030000065	5	4120001159009	31
4014010058	41	4030000107	5	4120001227	25
4014010112	55	4030100086	5	4120001339	87
4014010232	97	4041001132	85	4120001340	25、 81
4014010356	55	4041001252	85	4120001345	87
4015000072	5、 9、 15、 17...	4043010117	55	4120001349	85
4015000110	41、 111	4043010124	55	4120001368	25、 81
4015000135	39、 111	4043010128	55	4120001375	85
4015000162	59、 65、 69	4043010129	55	4120001490002	31
4015000168	7	4043010148	53	4120001490007	31
4015000176	5	4043010149	53	4120001490010	31
4015000186	33	4090100053	99、 113	4120001490011	31
4015000197	43、 49、 75	4090100054	99、 113	4120001490012	31
4015000207	15、 39、 73、 75...	4110001982	3	4120001497	85
4015000256	39	4110702434	3	4120001499	97
4015000315	111	4120000226	43、 113	4120001500	85
4015010246	5	4120000866	85	4120001722	25
4015010249	55	4120000868	25	4120001724	97
4015010275	55	4120001127	25	4120001799	87
4015010278	69	4120001127001	29	4120001901001	31
4015010279	69	4120001127002	29	4120001901002	31
4015010280	11、 19、 27	4120001127003	29	4120002350	97
4015010286	35、 53	4120001127004	29	4120002398	97
4015010289	21、 69	4120001127005	29	4120002399	97
4015010295	81	4120001127006	29	4120002535	85
4015010339	19、 25、 53、 85	4120001127007	29	4120702823	25
4015010340	25、 87	4120001127008	29	4120702931	37
4015010342	19	4120001127009	29	4120703132	25
4016000057	5	4120001127010	29	4120703226	85
4016010137	19	4120001127011	29	4120703227	85
4016010138	19	4120001127012	29	4120703228	87

Part No.	Page Number	Part No.	Page Number	Part No.	Page Number
4120703229	87	4130000710001	109	4130702006009	105
4120703230	87	4130000710002	109	4130702085	43
4120703231	87	4130000717	41	4130702292	39
4120703232	87	4130000720	107	4190000020	43
4120703233	87	4130000721	107	4190000145	43、 113
4120703234	81	4130000722	43	4190000996	85
4120703235	81	4130000723	107	4190001520	9、 11
4120703236	97	4130000726	43	4190001521	9、 11
4120703237	97	4130000729	41	4190001525	75
4120703457	81	4130000734	41	4190001587	71
4120703457001	83	4130000773	107	4190001813	15
4120703457002	83	4130000795	107	4190001814	17
4120703457003	83	4130000796	41、 111	4190002586	71
4120703457004	83	4130000797	111	4190703764350	105
4120703457005	83	4130000808	111	4190703890	71
4120703457006	83	4130000836	39		
4120703457007	83	4130000862001	105		
4120703457008	83	4130000862002	105		
4120703457009	83	4130000862003	105		
4120703457010	83	4130000862004	105		
4120703457011	83	4130000862005	105		
4120703457012	83	4130000862006	105		
4120703475001	31	4130000862010	105		
4120703475004	31	4130000889	107		
4120703475011	31	4130000941	107		
4120703497	99	4130000956	39		
4120703497001	101	4130001046007	105		
4120703497002	101	4130001046008	105		
4120703497003	101	4130001046009	105		
4120703497009	101	4130001046012	105		
4120703497014	101	4130001050	113		
4120703499002	101	4130001187	113		
4120703503003	101	4130001193	111		
4120703639021	31	4130001234	37		
4120703695	87	4130001280	107		
4120704565	25	4130001286	37		
4120707645	85	4130001288	43		
4130000709	39	4130701458	113		
4130000710	43	4130701559	41		